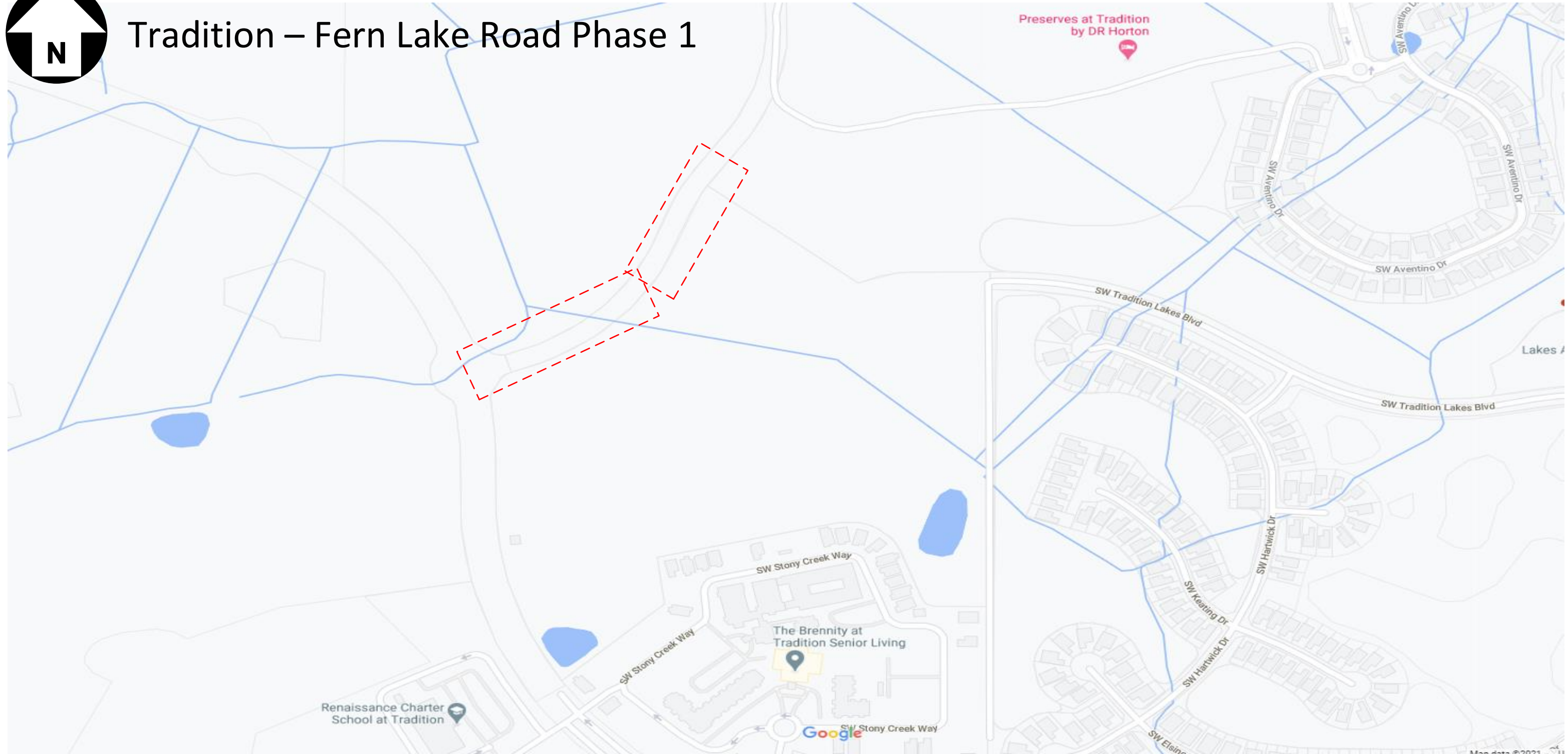


Tradition – Fern Lake Road Phase 1

INACCESSIBLE
 13 kV
 FUTURE 23 kV
 23 kV
 SALT SPRAY

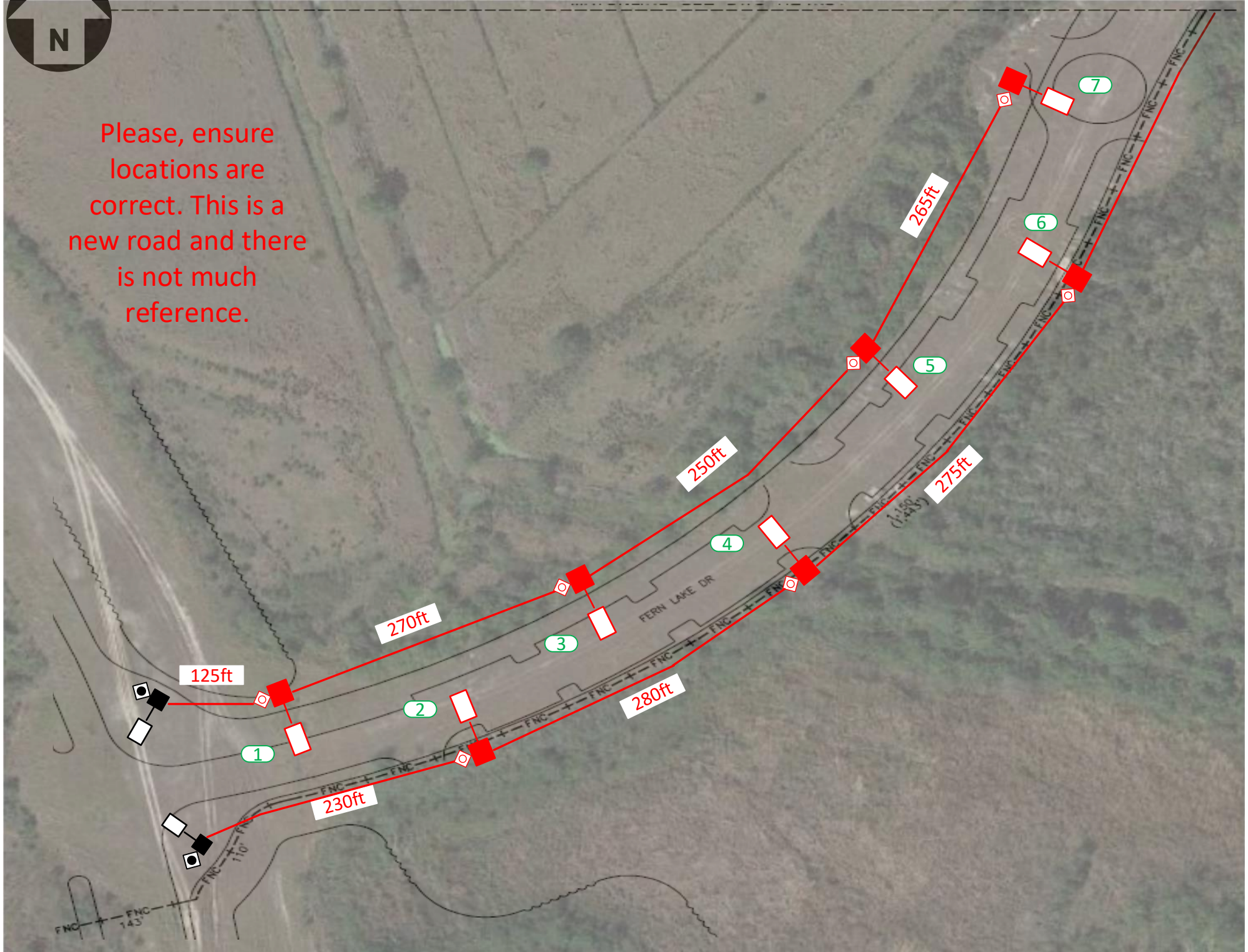


PAGE 1 OF 4
LIGHTS - 8
FOOTAGE = 1,975FT
LOCATION DETAILS ON PAGE 4

AS-BUILT CREW PRINT		<small>ALL REQUIRED GROUND RODS HAVE BEEN DRIVEN & VERIFIED TO BE WITHIN FPL STANDARDS, VALUES ARE SHOWN AT ALL LOCATIONS.</small>		<small>JOB CERTIFIED COMPLETED AS SHOWN ON THIS AS-BUILT PRINT. MATERIAL CHANGES SHOWN IN RED.</small>		AS-BUILT COPY	
FOREMAN'S SIGNATURE _____		DATE _____		FOREMAN'S SIGNATURE _____		DATE _____	
SUPERVISOR'S SIGNATURE _____		DATE _____		INITIALS _____		CERT. DATE _____	
Easement? Yes <input checked="" type="checkbox"/> No <input type="checkbox"/>		Survey/Stake? Yes <input checked="" type="checkbox"/> No <input type="checkbox"/>		Work with SMO? Yes <input type="checkbox"/> No <input checked="" type="checkbox"/>		FPL	
Tree Work? Yes <input type="checkbox"/> No <input checked="" type="checkbox"/>		Designer/Stake? Yes <input type="checkbox"/> No <input checked="" type="checkbox"/>		CT/Special Mtr? Yes <input type="checkbox"/> No <input checked="" type="checkbox"/>			
PERMIT REQ'D		City		County Rd.		County Air	
		WMD		RR Xing		DR. Dist.	
						State Road	
						Transm.	
						FAA	
Requested Tel. Co. Set Poles? YES <input type="checkbox"/> NO <input checked="" type="checkbox"/>		Requested Tel. Co. Transfer? YES <input type="checkbox"/> NO <input checked="" type="checkbox"/>		Request CAVT Transfer? YES <input type="checkbox"/> NO <input checked="" type="checkbox"/>		Tele. Attachment Per _____	
						Telephone Co. Job No. _____	
POLE LINE FEET		0'		DUCT BANK FT.		0'	
POLE LINE FT. ON TRANSM. POLES		0'		TRENCH FT.		0'	
TLM/LDS MODEL No.		-		Map Posting? YES <input checked="" type="checkbox"/> NO <input type="checkbox"/>		Posted by: _____	
						Designed by: Jorge Cruz Gotay Date: 02/05/21 Drawn by: JCG Check by: _____ Dwg No. 1 OF 13 Rural Location Sec. 08 TWP. 37 S, RGE. 39 E. SCALE: N.T.S St. Lt MAP No. _____ MAP# _____ Pri Map No. BH0550 WR XXXXXXXX M/A XX	



Please, ensure locations are correct. This is a new road and there is not much reference.



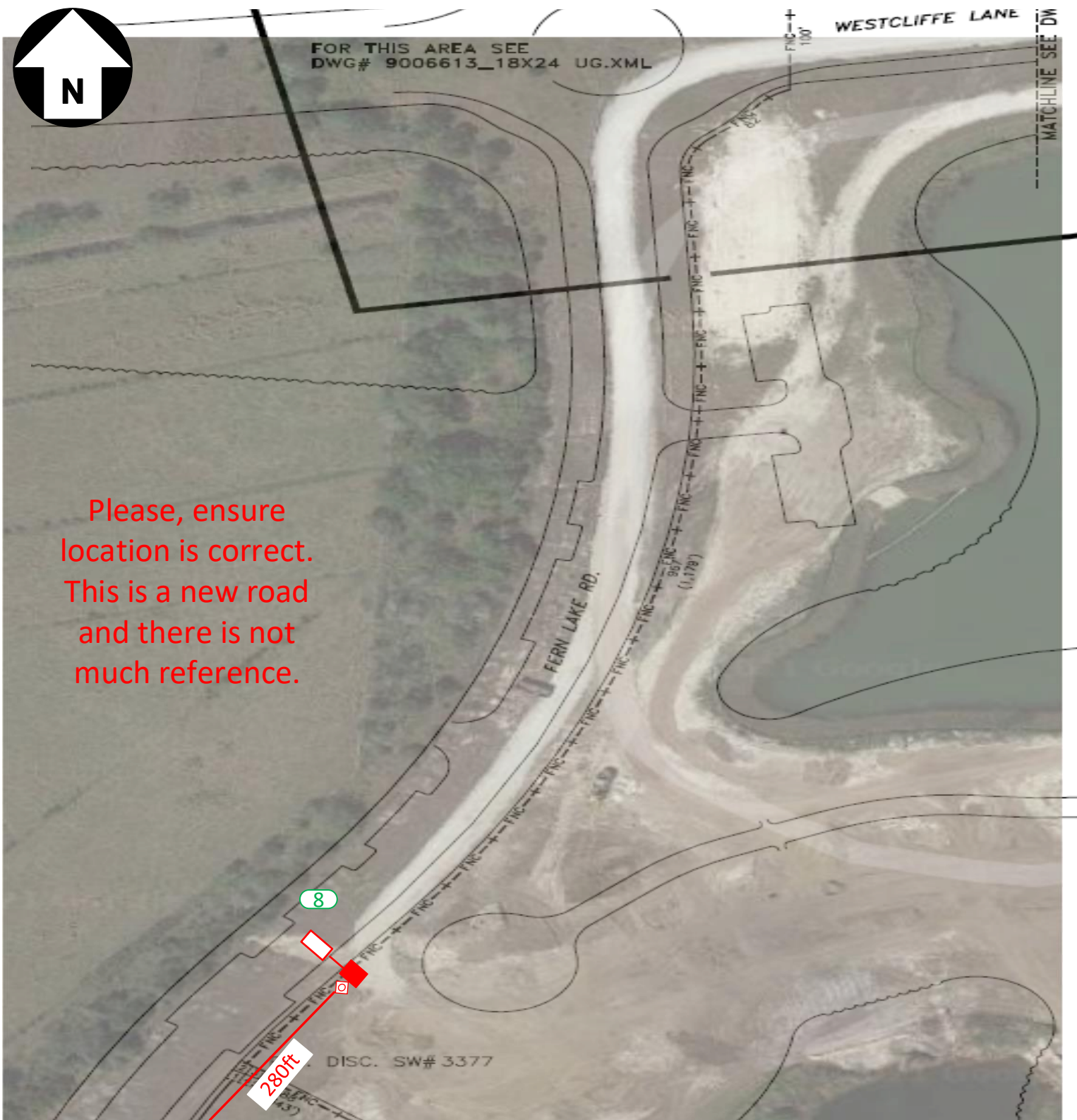
PAGE 2

Construction Notes:

Loc. 1-7: FPL contractor to install 37ft black octagonal concrete pole and Holophane, Teardrop, 144Watts, 4000K Fixture with 6ft black decorative tenon mounted bracket arm . Connect to existing street light service and install 17in hand hole at each location unless is stated the opposite. Verify fixture is working correctly after installation. Check 120V to terminal blocks.
 'CHECK VOLTAGE – CONVERT 480V to 120V or 240V' On 480V circuits, change the relay prior to installing the lights. Verify the source and amount of lights on that relay. Contact the FPL PL to assist with this process.
 -FPL crew to run #1/0 TPX cable to all locations shown in the drawing.
 -All facilities to be installed within utility easement.
 -Customer to contact FPL PL and coordinate staking of all locations prior LED installations. Customer is responsible for any restoration required.

FPL LED Representative: Christian Pruitt

AS-BUILT CREW PRINT		ALL REQUIRED GROUND RODS HAVE BEEN DRIVEN & VERIFIED TO BE WITHIN FPL STANDARDS, VALUES ARE SHOWN AT ALL LOCATIONS.		JOB CERTIFIED COMPLETED AS SHOWN ON THIS AS-BUILT PRINT. MATERIAL CHANGES SHOWN IN RED		AS-BUILT COPY	
FOREMAN'S SIGNATURE _____ DATE _____		FOREMAN'S SIGNATURE _____ DATE _____		SUPERVISOR'S SIGNATURE _____ DATE _____		INITIALS _____ CERT. DATE _____	
Easement? Yes <input checked="" type="checkbox"/> No <input type="checkbox"/>		Survey/Stake? Yes <input checked="" type="checkbox"/> No <input type="checkbox"/>		Work with SMO? Yes <input type="checkbox"/> No <input checked="" type="checkbox"/>		FPL	
Tree Work? Yes <input type="checkbox"/> No <input checked="" type="checkbox"/>		Designer/Stake? Yes <input type="checkbox"/> No <input checked="" type="checkbox"/>		CT/Special Mtr? Yes <input type="checkbox"/> No <input checked="" type="checkbox"/>			
PERMIT REQ'D	City	County Rd.	County Air	State Road	FAA	Tradition – Fern Lake Road Phase 1 Install 8 New Lights & Poles V/O SW Tradition Parkway & Fern Lake Dr, Port St. Lucie, FL	
	WMD	RR Xing	DR. Dist.	Transm.			
Requested Tel. Co. Set Poles? YES <input type="checkbox"/> NO <input checked="" type="checkbox"/>		Requested Tel. Co. Transfer? YES <input type="checkbox"/> NO <input checked="" type="checkbox"/>		Request CAVT Transfer? YES <input type="checkbox"/> NO <input checked="" type="checkbox"/>		Designed by: Jorge Cruz Gotay Date: 02/05/21 Drawn by: JCG Check by: _____ Dwg No. 4 OF 13	
POLE LINE FEET 0'		DUCT BANK FT. 0'		Rural Location Sec. 08 TWP. 37 S, RGE. 39 E.		SCALE: N.T.S St. Lt MAP No. MAP# Pri Map No. BH0550	
POLE LINE FT. ON TRANSM. POLES 0'		TRENCH FT. 0'		TLM/LDS MODEL No. - Map Posting? YES <input checked="" type="checkbox"/> NO <input type="checkbox"/>		Posted by: WR XXXXXXXX M/A XX	



Please, ensure location is correct. This is a new road and there is not much reference.

- INACCESSIBLE
- 13 kV
- FUTURE 23 kV
- 23 kV
- SALT SPRAY

PAGE 3

Construction Notes:

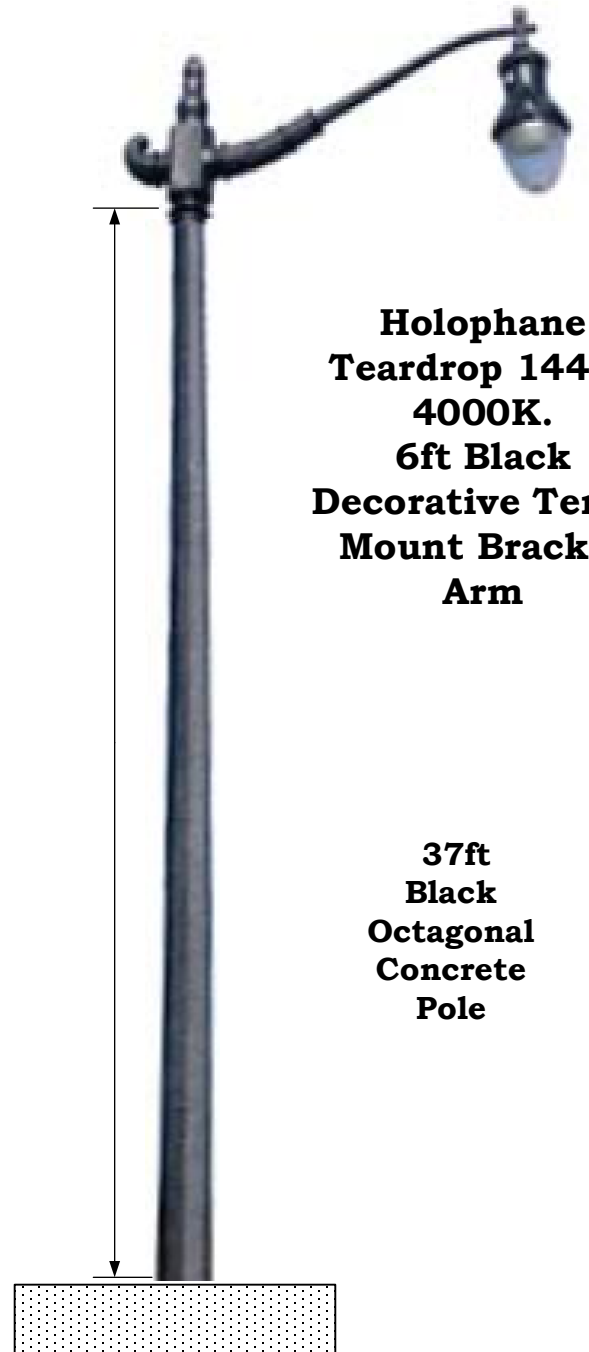
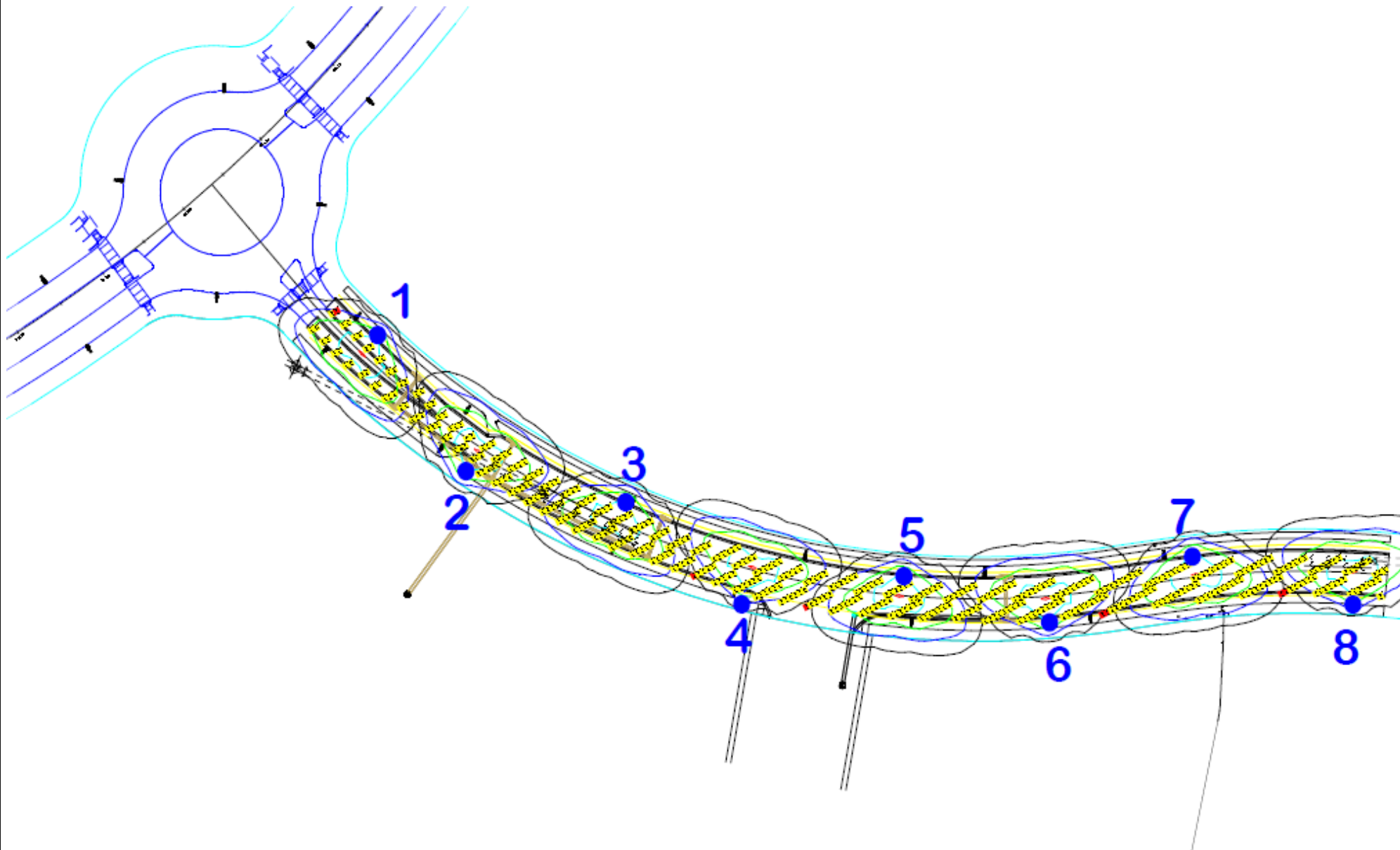
Loc. 8: FPL contractor to install 37ft black octagonal concrete pole and Holophane, Teardrop, 144Watts, 4000K Fixture with 6ft black decorative tenon mounted bracket arm . Connect to existing street light service and install 17in hand hole at each location unless is stated the opposite. Verify fixture is working correctly after installation. Check 120V to terminal blocks. 'CHECK VOLTAGE – CONVERT 480V to 120V or 240V' On 480V circuits, change the relay prior to installing the lights. Verify the source and amount of lights on that relay. Contact the FPL PL to assist with this process.

- FPL crew to run #1/0 TPX cable to all locations shown in the drawing.
- All facilities to be installed within utility easement.
- Customer to contact FPL PL and coordinate staking of all locations prior LED installations. Customer is responsible for any restoration required.

FPL LED Representative: Christian Pruitt

AS-BUILT CREW PRINT		ALL REQUIRED GROUND RODS HAVE BEEN DRIVEN & VERIFIED TO BE WITHIN FPL STANDARDS, VALUES ARE SHOWN AT ALL LOCATIONS.		JOB CERTIFIED COMPLETED AS SHOWN ON THIS AS-BUILT PRINT. MATERIAL CHANGES SHOWN ON ROS		AS-BUILT COPY	
FOREMAN'S SIGNATURE _____ DATE _____		FOREMAN'S SIGNATURE _____ DATE _____		SUPERVISOR'S SIGNATURE _____ DATE _____		INITIALS _____ CERT. DATE _____	
Easement? Yes <input checked="" type="checkbox"/> No <input type="checkbox"/>		Survey/Stake? Yes <input checked="" type="checkbox"/> No <input type="checkbox"/>		Work with SMO? Yes <input type="checkbox"/> No <input checked="" type="checkbox"/>		FPL Tradition – Fern Lake Road Phase 1 Install 8 New Lights & Poles V/O SW Tradition Parkway & Fern Lake Dr, Port St. Lucie, FL	
Tree Work? Yes <input type="checkbox"/> No <input checked="" type="checkbox"/>		Designer/Stake? Yes <input type="checkbox"/> No <input checked="" type="checkbox"/>		CT/Special Mtr? Yes <input type="checkbox"/> No <input checked="" type="checkbox"/>			
PERMIT REQ'D	City	County Rd.	County Air	State Road	FAA	Designed by: Jorge Cruz Gotay Date: 02/05/21	
	WMD	RR Xing	DR. Dist.	Transm.			
Requested Tel. Co. Set Poles? YES <input type="checkbox"/> NO <input checked="" type="checkbox"/>		Requested Tel. Co. Transfer? YES <input type="checkbox"/> NO <input checked="" type="checkbox"/>		Request CAVT Transfer? YES <input type="checkbox"/> NO <input checked="" type="checkbox"/>		Rural Location Sec. 08 TWP. 37 S, RGE. 39 E.	
POLE LINE FEET 0'		DUCT BANK FT. 0'		POLE LINE FT. ON TRANSM. POLES 0'		TRENCH FT. 0'	
TLM/LDS MODEL No. -		Map Posting? YES <input checked="" type="checkbox"/> NO <input type="checkbox"/>		Posted by: WR XXXXXXXX		SCALE: N.T.S. St. Lt MAP No. MAP# Pri Map No. BH0550 M/A XX	

INACCESSIBLE
 13 kV
 FUTURE 23 kV
 23 kV
 SALT SPRAY

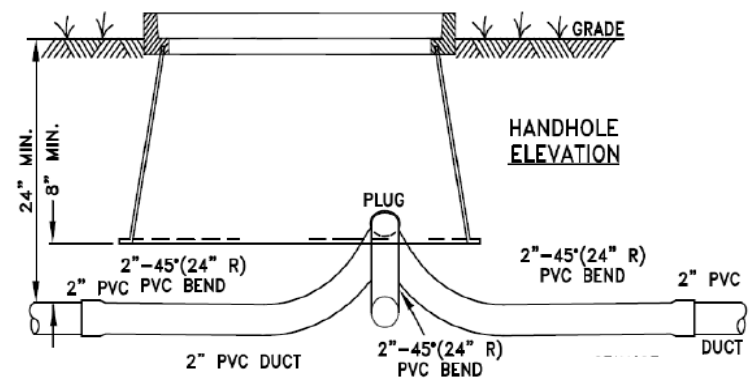
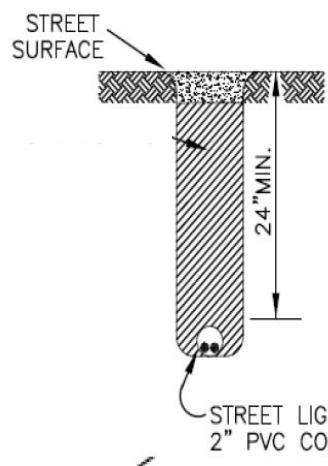


**Holophane
 Teardrop 144W,
 4000K.
 6ft Black
 Decorative Tenon
 Mount Bracket
 Arm**

**37ft
 Black
 Octagonal
 Concrete
 Pole**

PAGE 4

TYPICAL INSTALLATION



AS-BUILT CREW PRINT		ALL REQUIRED GROUND RODS HAVE BEEN DRIVEN & VERIFIED TO BE WITHIN FPL STANDARDS, VALUES ARE SHOWN AT ALL LOCATIONS.		JOB CERTIFIED COMPLETED AS SHOWN ON THIS AS-BUILT PRINT. MATERIAL CHANGES SHOWN ON ROS		AS-BUILT COPY	
FOREMAN'S SIGNATURE _____ DATE _____		FOREMAN'S SIGNATURE _____ DATE _____		SUPERVISOR'S SIGNATURE _____ DATE _____		INITIALS _____ CERT. DATE _____	
Easement? Yes <input checked="" type="checkbox"/> No <input type="checkbox"/>		Survey/Stake? Yes <input checked="" type="checkbox"/> No <input type="checkbox"/>		Work with SMO? Yes <input type="checkbox"/> No <input checked="" type="checkbox"/>		FPL	
Tree Work? Yes <input type="checkbox"/> No <input checked="" type="checkbox"/>		Designer/Stake? Yes <input type="checkbox"/> No <input checked="" type="checkbox"/>		CT/Special Mtr? Yes <input type="checkbox"/> No <input checked="" type="checkbox"/>		Tradition – Fern Lake Road Phase 1	
PERMIT REQ'D City _____ County Rd. _____ County Air _____ State Road _____ FAA _____		DR. Dist. _____		Transm. _____		Install 8 New Lights & Poles	
Requested Tel. Co. Set Poles? YES <input type="checkbox"/> NO <input checked="" type="checkbox"/>		Tele. Attachment Per _____		Designed by: Jorge Cruz Gotay		Date: 02/05/21	
Requested Tel. Co. Transfer? YES <input type="checkbox"/> NO <input checked="" type="checkbox"/>		Telephone Co. Job No. _____		Drawn by: JCG		Check by: _____	
Request CAVT Transfer? YES <input type="checkbox"/> NO <input checked="" type="checkbox"/>		POLE LINE FEET 0'		DUCT BANK FT. 0'		Dwg No. 5 OF 13	
POLE LINE FT. ON TRANSM. POLES 0'		TRENCH FT. 0'		Rural Location Sec. 08 TWP. 37 S, RGE. 39 E.		SCALE: N.T.S	
TLM/LDS MODEL No. -		Map Posting? YES <input checked="" type="checkbox"/> NO <input type="checkbox"/>		Posted by: _____		St. Lt MAP No. MAP# _____ Pri Map No. BH0550	
				WR XXXXXXXX		M/A XX	