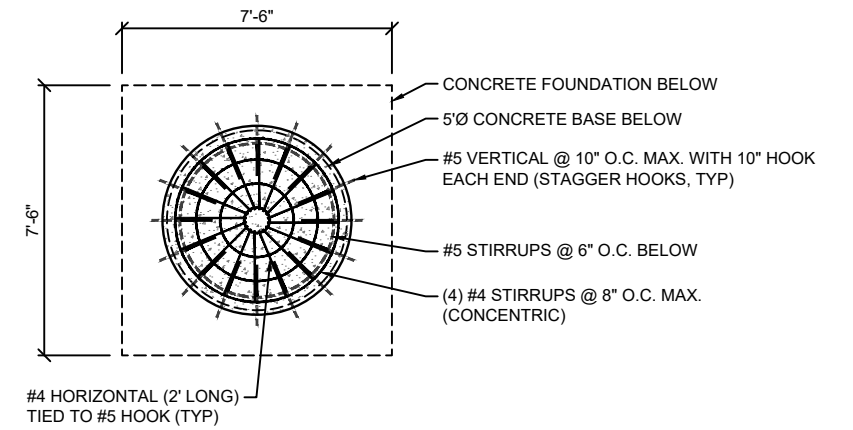
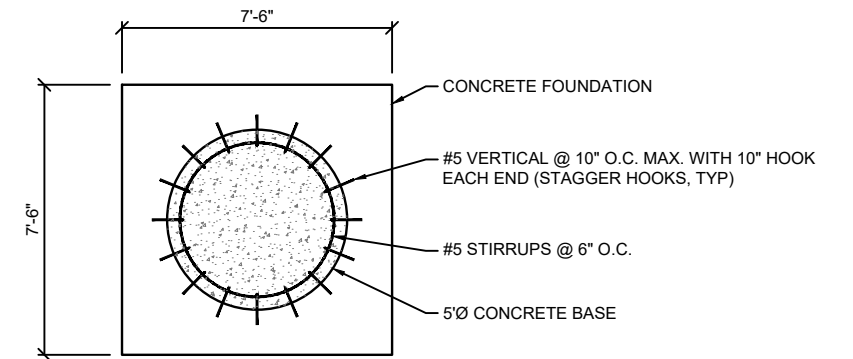


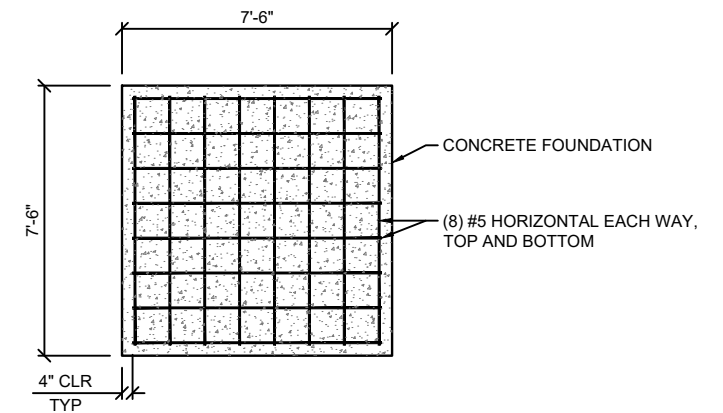
1 SCULPTURE FOUNDATION AND BASE ELEVATION  
S2.0  
GRAPHIC SCALE IN FEET



C SECTION C-C  
S2.0  
GRAPHIC SCALE IN FEET



B SECTION B-B  
S2.0  
GRAPHIC SCALE IN FEET



A SECTION A-A  
S2.0  
GRAPHIC SCALE IN FEET

NOTE: THE SCALE OF THESE DRAWINGS MAY HAVE CHANGED DUE TO REPRODUCTION.



NO.	REVISION	DATE	BY

**WGI**  
ENGINEERING // SURVEYING // ENVIRONMENTAL // PLANNING  
2035 Vista Parkway  
West Palm Beach, FL 33411  
Phone No. 561.687.2220  
Fax No. 561.687.1110  
Cert No. 6091 - LB No. 7055

PROPOSED SCULPTURE FOUNDATION FOR:  
AVIVA SCULPTURE AND MONUMENT  
PORT ST. LUCIE, FLORIDA

DRAWN  
D.A.M.  
CHECKED  
C.B.L.  
DATE  
NOVEMBER 2019  
SCALE  
AS NOTED

SEAL  
NOT FOR CONSTRUCTION  
Christopher B. LaForte-76797  
FLORIDA P.E. NAME & NUMBER

SHEET  
S2.0  
PROJECT NO.  
5212.00