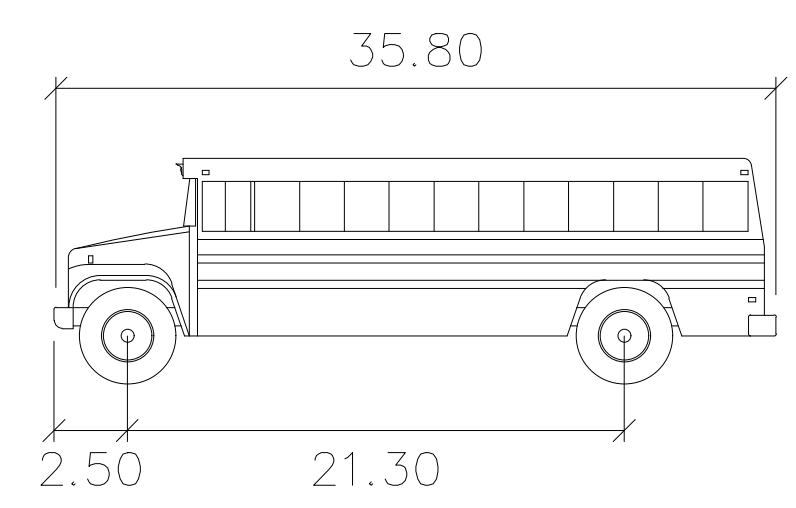
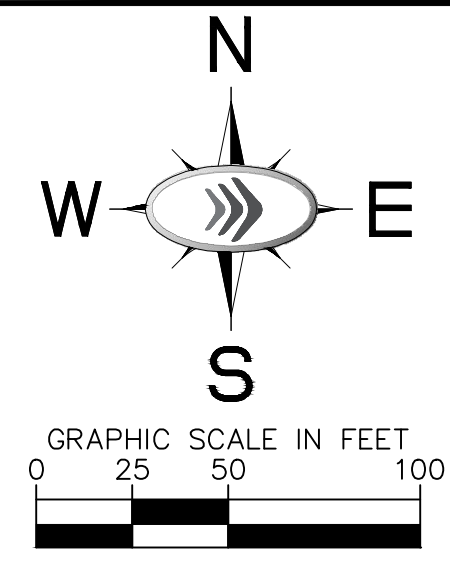


Plotted By: Elhott, Shrey - Sheet Set: SC8 - Apis-143882001-CONSTR - Layout: SCHOOL BUS TRUCK TURN - April 29, 2026 - 01:34:32pm - K:\VRR\_LDEVA\143882001 - SC8 - Apis\CAD\PlanSheets\C-054 TRUCK TURN PLAN - 143882001.dwg  
 This document, together with the concepts and designs presented herein, is intended only for the specific purpose and client for which it was prepared. Reuse of and improper reliance on this document without written authorization and adaptation by Kimley-Horn and Associates, Inc. shall be without liability to Kimley-Horn and Associates, Inc.



S-BUS 36

Width : 8.00 feet  
 Track : 8.00  
 Lock to Lock Time : 6.0  
 Steering Angle : 37.6

CURB INLET  
 RM. CL. = 32.56  
 E. INV. = 17.35  
 W. INV. = 17.29  
 BOTTOM = 15.34  
 (SLOPE NOT DETERMINED)  
 SIZE OF PIPE



Know what's below.  
 Call before you dig.

THE PRESENCE OF GROUNDWATER SHOULD BE ANTICIPATED ON THIS PROJECT.  
 CONTRACTOR'S BID SHALL INCLUDE CONSIDERATION FOR ADDRESSING THIS ISSUE.

VERTICAL DATUM  
 ELEVATIONS SHOWN HEREON ARE BASED ON THE NORTH AMERICAN VERTICAL DATUM OF  
 1888 (NAVD 88). SUBTRACT 1.47' FROM NAVD 29 ELEVATION TO GET THE NAVD 88 ELEVATION.

CITY OF PORT ST. LUCIE PROJECT #  
 P25-210  
 PSLUSD PROJECT #  
 5431

No.	REVISIONS	DATE	BY
1.	FINAL BID/PERMIT PLANS	4/15/26	SEA

**Kimley»Horn**

© 2026 KIMLEY-HORN AND ASSOCIATES, INC.  
 445 24TH STREET, SUITE 200, VERO BEACH, FL 32960  
 PHONE: 772-794-4100  
 WWW.KIMLEY-HORN.COM REGISTRY NO. 35106

LICENSED PROFESSIONAL	SARAH ANDERSON, P.E.
DATE	04/03/2026
SCALE	AS SHOWN
DESIGNED BY	RE
DRAWN BY	RE
CHECKED BY	SA
DATE:	

**SCHOOL BUS TRUCK TURN**

**SOUTHERN GROVE 8**  
 APARTMENTS  
 PREPARED FOR  
 the **NRP** Group

CITY OF PORT ST. LUCIE FLORIDA

SHEET NUMBER  
**C-057**