

### Landscape Legend:

Qty	Symbol	Tag	Species
78	(Symbol)	AR	Red Maple <i>Acer rubrum</i> , FG, 12' Ht
14	(Symbol)	CS	Glaucous Cassia <i>Cassia surrattensis</i> , FG, 8' ht
23	(Symbol)	CS1	Glaucous Cassia <i>Cassia surrattensis</i> , FG, 12' ht
72	(Symbol)	LI1	White Crape Myrtle <i>Lagerstromia indica 'Natchez'</i> , 12' ht, 2.5" cal
101	(Symbol)	LI2	Pink Crape Myrtle <i>Lagerstromia indica 'Sioux'</i> , 12' ht, 2.5" cal
72	(Symbol)	LI3	Coral Red Crape Myrtle <i>Lagerstromia indica 'Tuscarora'</i> , 12' ht, 2.5" cal
42	(Symbol)	KE	Golden Rain Tree <i>Kolreuteria elegans</i> , FG, 12' Ht
42	(Symbol)	PE	Slash Pine <i>Pinus eliottii 'Densa'</i> , FG, 12' Ht
5	(Symbol)	MG	Southern Magnolia <i>Magnolia grandiflora</i> , FG, 12' Ht
114	(Symbol)	QV	Live Oak, <i>Quercus virginiana</i> , 12' ht, 2.5" cal
17	(Symbol)	TD	Bald Cypress, <i>Taxodium distichum</i> , 12' ht, 2.5" cal
156	(Symbol)	SP	Cabbage Palm <i>Sabal palmetto</i> , 10' CT
25	(Symbol)	WR	Mexican Fan Palm <i>Washingtonia robusta</i> , 8' CT
28	(Symbol)	WR1	Mexican Fan Palm <i>Washingtonia robusta</i> , 12' CT
912	(Symbol)	JAS	Wax Jasmine <i>Jasminum volubile</i> , 1 gal, 12"x12", 24" o.c.
481	(Symbol)	JUN	Shore Juniper <i>Juniperus</i> , 1 gal, 12"x12", 24" o.c.
2,083	(Symbol)	HAM	Dwarf Firebush <i>Hamelis macarantha</i> , 3 gal, 18"OA, 24" o.c.
259	(Symbol)	MYR	Wax Myrtle <i>Myrica cerifera</i> , 3 gal, 24"OA, 48" o.c.
422	(Symbol)	NER	Dwarf Oleander <i>Nerium oleander 'Ice Pink'</i> , 3 gal, 18"x18", 24" o.c.
320	(Symbol)	POD	Japanese Yew <i>Podocarpus japonicus</i> , 3 gal, 18"x18", 24" o.c.
938	(Symbol)	RHA	Indian Hawthorn <i>Rhaphiolepis indica</i> , 3 Gal, 12" ht, 24" o.c.
9	(Symbol)	SYZ	Brush Cherry <i>Syzygium paniculata</i> , 10 Gal, 5' Ht, cone
55	(Symbol)	VIO	Sweet Viburnum <i>Viburnum odoratissimum</i> , 3 Gal, 24"x24", 24" o.c.
170	(Symbol)	VIA	Awabuki Viburnum <i>Viburnum odoratissimum 'Awabuki'</i> , 15 Gal, 5'x3', 36" o.c.
779	(Symbol)	VIB	Sandankwa Viburnum <i>Viburnum suspensum</i> , 3 Gal, 24"x24", 24" o.c.
2,310	(Symbol)	EUP	Dwarf Crown of Thorns <i>Euphorbia millii 'Little Red'</i> , 1 gal, 9"OA, 12" o.c.
328	(Symbol)	FIC	Green Island Ficus <i>Ficus macrocarpa 'Green Island'</i> , 1 gal, 6"x10", 24" o.c.
716	(Symbol)	LAN	Purple & White Trailing Lantana <i>Lantana montevidensis &amp; a.ba.</i> , 1 gal, 24" o.c., even mix
1,623	(Symbol)	TRF	Dwarf Fakahatchee Grass <i>Tripsacum floridana</i> , 3 gal, 24" o.c.

Landscape Design Associates  
 25110 NW 182nd Ave  
 High Springs, FL 32643  
 772-971-6060 ph, smarcks@landscapeda.com  
 Scale: 1" = 80'  
 Drawn by: SM  
 Checked by: SM  
 CADD No.: 20-162 lp  
 Date: 03.05.2021  
 Revisions:  
 Date Comments  
 05.13.21 Per staff comments  
 © 2011 THEIR PLANS  
 SHOWN HEREIN ARE THE  
 ASSOCIATES AND  
 LANDSCAPE DESIGN  
 FOLLOWERS OF THE  
 IN PART AS EXPENSE  
 OF THE CLIENT.  
 (WITHOUT LIABILITY)

**Landscape Data (Trees):**

**Exterior Landscaping:**  
 4,512 lf of PL along RW or other Properties (excluding 187lf of Driveways):  
 1,801 lf of PL along Brescia Street (excluding 190' of driveways & 165' of easements)  
**Total Exterior Trees required: 211 trees**

**Interior Landscaping:**  
 Interior Landscape Islands trees required:  
 Landscaping along building perimeter:  
 Retail B: 984 lf of perimeter @ 1 tree/30 lf = 33 trees  
 Kohl's: 1,274 lf of perimeter @ 1 tree/30 lf = 43 trees  
 Retail D: 269 lf of perimeter @ 1 tree/30 lf = 9 trees  
 Retail D future building: 206 lf @ 1 tree/30 lf = 7 trees  
 Restaurant: 307 lf of perimeter @ 1 tree/30 lf = 11 trees  
 Retail E: 207 lf of perimeter @ 1 tree/30 lf = 7 trees  
**Total Interior Trees required: 266 trees**  
**Trees relocated from Phase 1: 30 trees**  
**Total Trees required: 507 trees**  
**Total Trees provided: 520 trees**

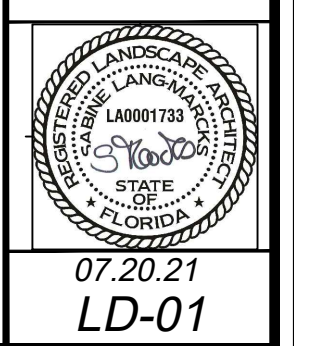
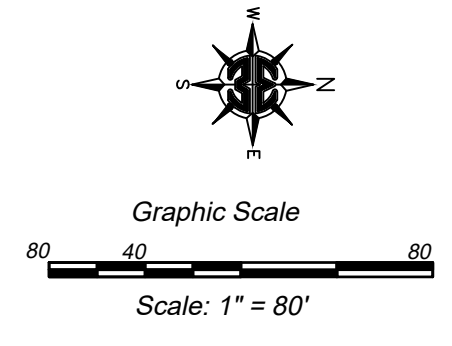
**Landscape Data (Shrubs):**

**Exterior Landscaping:**  
 4,512 lf of PL along RW or other Properties (excluding 187lf of Driveways):  
 1,801 lf of PL along Brescia Street (excluding 190' of driveways & 165' of easements)  
**Total Exterior Shrubs required: 3,157 shrubs**

**Interior Landscaping:**  
 Landscaping along building perimeter:  
 Retail B: 984 lf of perimeter @ 1 shrub/1.5 lf = 656 shrubs  
 Kohl's: 1,274 lf of perimeter @ 1 shrub/1.5 lf = 850 shrubs  
 Retail D: 269 lf of perimeter @ 1 shrub/1.5 lf = 180 shrubs  
 Retail D future building: 206 lf @ 1 shrub/1.5 lf = 137 shrubs  
 Restaurant: 307 lf of perimeter @ 1 shrub/1.5 lf = 205 shrubs  
 Retail E: 207 lf of perimeter @ 1 shrub/1.5 lf = 138 shrubs  
**Total Interior Shrubs required: 2,161 shrubs**  
**Total Shrubs required: 5,458 shrubs**  
**Total Shrubs provided: 6,428 shrubs**

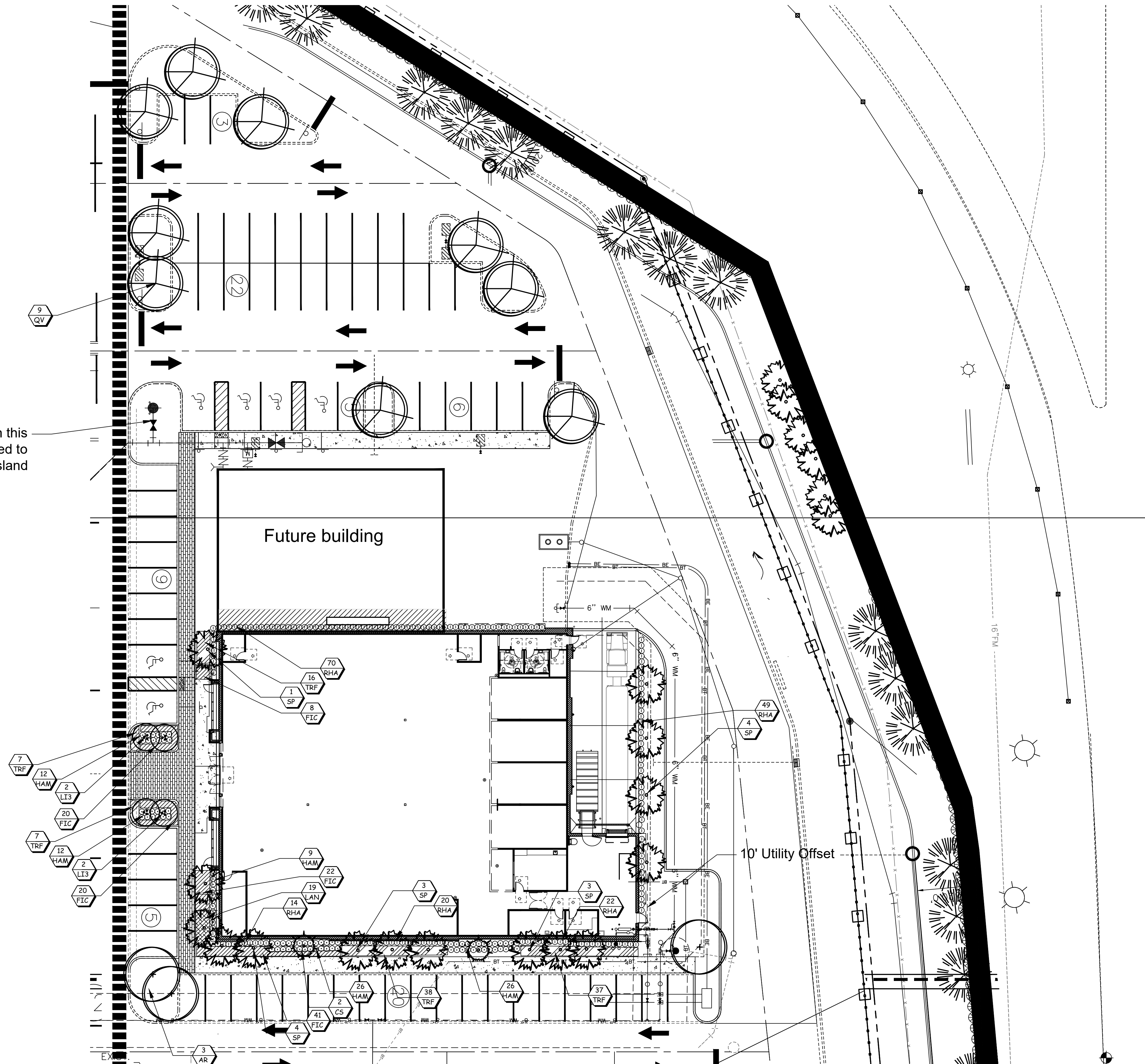
**General Notes:**

- All landscaping within (PSLUSD) utility easements shall comply with Chapter 153 of the City's Code of Ordinances and PSLUSD Utility Standards, Details and Policies.
  - No landscaping shall be planted in such a manner as to adversely affect utility installation, operation and maintenance.
  - Trees shall not be planted within 10 feet of any PSLUSD mains or appurtenances.
  - No landscaping other than sod grasses shall be planted within a 5' radius maintenance area of an PSLUD appurtenance such as water meters, backflow devices, fire hydrants, sanitary sewer cleanouts, and manholes, air release valves, etc.
  - All landscape material to be Florida No. 1
  - All sod areas to be St. Augustine 'Floratum' Sod
- Landscape Irrigation Notes:**  
 - All areas to receive 100% irrigation coverage  
 - All zones to be automatically controlled.  
 - Clocks to have automatic "Rain sensors".  
 - Water source may be potable or well and shall be determined at time of building permit application  
 - The irrigation system will be designed to accept reclaimed wastewater once it becomes available to the property



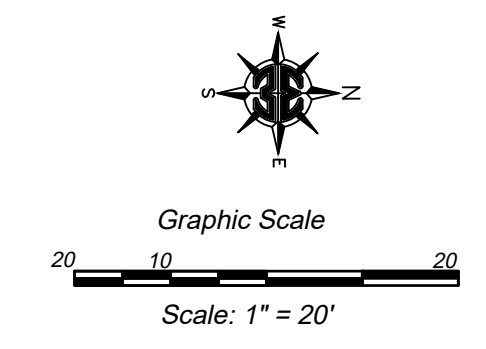


Tree required in this location moved to larger parking island



**Landscape Legend:**

Qty	Symbol	Tag	Species
3		AR	Red Maple <i>Acer rubrum</i> , FG, 12' Ht
2		CS	Glaucous Cassia <i>Cassia surrattensis</i> , FG, 8' ht
4		LI3	Coral Red Crape Myrtle <i>Lagerstromia indica 'Tuscarora'</i> , 12' ht, 2.5" cal
9		QV	Live Oak <i>Quercus virginiana</i> , 12' ht, 2.5" cal
15		SP	Cabbage Palm <i>Sabal palmetto</i> , 10' CT
85		HAM	Dwarf Firebush <i>Hamelis macarantha</i> , 3 gal, 18"OA, 24" o.c.
175		RHA	Indian Hawthorn <i>Rhaphiolepis indica</i> , 3 Gal, 12" ht, 24" o.c.
111		FIC	Green Island Ficus <i>Ficus macrocarpa 'Green Island'</i> , 1 gal, 6"x10", 24" o.c.
19		LAN	Purple & White Trailing Lantana <i>Lantana montevidensis &amp; alba</i> , 1 gal, 24" o.c., even mix
110		TRF	Dwarf Fakahatchee Grass <i>Tripsacum floridana</i> , 3 gal, 24" o.c.



Revisions	Date	Comments
05.13.21	Per staff comments	

© 2011 THESE PLANS AND ASSOCIATED MATERIALS ARE THE PROPERTY OF LANDSCAPE DESIGN ASSOCIATES AND SHALL REMAIN THE PROPERTY OF LANDSCAPE DESIGN ASSOCIATES. NO PART IS TO BE REPRODUCED OR TRANSMITTED IN ANY FORM OR BY ANY MEANS, WITHOUT CONSENT.

**Gatlin Plaza Phase 2 - Minor Revision #8**  
City of Port St. Lucie  
**Overall Landscape Plan**

