


MEMORANDUM

DATE: August 24, 2022
TO: ***ORIGINAL***
City Clerk's Office
FROM: Robyn Holder, CPPB 
Procurement Management Division
SUBJECT: Record Retention

CONTRACT: #20210104 Amendment #1
CONTRACT TITLE: Grinder Pumps & Related Parts
VENDOR NAME: Environment One Corporation
VENDOR ADDRESS: 2773 Balltown Road
CITY & STATE: Niskayuna, NY 12309

COUNCIL APPROVED: 3/28/2022

CONTRACT AMOUNT: \$11,153,360.53

CONTRACT TERM: 4/1/2022 through 3/31/2025 with automatic renewals for one (1) year periods unless terminated by either party.

COUNCIL APPROVED: 8/22/2022

CONTRACT AMOUNT: \$116,378.03

NEW CONTRACT AMOUNT: \$11,269,738.56 & 0 additional calendar days.





CONTRACT AMENDMENT

This amendment by and between the Contractor and the City as defined below shall be effective as of the date this Amendment is fully executed.

Contractor's Full Legal Name:	Environmental One Corporation
Solicitation No./Event ID:	20210104
Solicitation Title/Event Name:	Griner Pumps & Related Parts
Contract Award Date:	3/28/2022
Initial Current Contract Term:	4/1/2022 through 3/31/2025 with automatic renewals
Current Contract Expiration Date:	3/31/2025
Requested Contract Expiration Date:	3/31/2025
Initial Contract Amount:	\$11,153,360.53
Current Contract Amended Amount:	\$11,153,360.53
Requested Financial Change Amount:	\$116,378.03
New Contract Amount:	\$11,269,738.56
Amendment No.:	1
Amendment Type:	Increase of Commodities

WHEREAS, the Contract is in effect through the Current Contract Term as defined above; and

NOW THEREFORE, for good and valuable consideration, the receipt and sufficiency of which are hereby acknowledged, the parties do hereby agree as follows:

1. The following modifications to the Terms and Conditions contained in Contract #20210104 between Environmental One Corporation and the City of Port St. Lucie dated March 31, 2022 are hereby incorporated and made a part of the contract.

This Amendment provides for new pay items as follows:

Balance of page left intentionally blank



Environment One Corp. - 2773 Balltown Road - Niskayuna, NY 12309

QUOTATION

Number: 7-15-22

Revision : -

Revision Date: N/A

Thank you for your interest in Environment One, its products and services.
We are pleased to offer this quotation for your consideration.

To:

City of Port St. Lucie - Utility Systems Department
900 SE Ogden Ln
Port St. Lucie FL, 34983

Attn:

Tim Richards
Administrator, Water Distribution & Wastewater Collections Utility Systems Department

Project:

PSL-USD/Port St. Lucie FL, 34983

ORIGINAL DATE	7/13/2022
REFERENCE	Truckload E/One Grinder Systems

1	Spare Parts:	EA	QTY	UNIT PRICE	TOTAL PRICE
	Stator/Liner Assembly - NC0039G01	EA	60	\$ 88.99	\$ 5,339.40
	INLET SHROUD, EXTREME - ND0004P01	EA	5	\$ 10.95	\$ 54.75
	Motor Controller Board - NB0494G01	EA	10	\$ 243.46	\$ 2,434.60
	ALARM REPLACEMENT PC BOARD, SIMPLEX SENTRY, 240/120 - PB0939G21	EA	10	\$ 236.67	\$ 2,366.70
	LENS AND GASKET ASSEMBLY, SENTRY - PA2138G01	EA	5	\$ 34.69	\$ 173.45
	Pressure Switch, Alarm - NB0083G02	EA	40	\$ 65.70	\$ 2,628.00
	Pressure Switch, On/Off - NB0083G01	EA	40	\$ 65.70	\$ 2,628.00
	TERMINAL, FLAG, FLAG, 22-18GA, RED - PA0491P01	EA	200	\$ 1.24	\$ 248.00
	SEAL, LEVEL SENSING HOUSING, EXTREME - NB0042P02	EA	40	\$ 3.74	\$ 149.60
	Motor Housing Assembly - NC0036G01	EA	10	\$ 382.18	\$ 3,821.80
	WASHER, WAVE SPRING, (2000, EXTREME) - PA1010P01	EA	3	\$ 2.16	\$ 6.48
	BEARING, PUMP END - PA0109P01	EA	15	\$ 36.83	\$ 552.45
	BEARING, TOP - PA1181P01	EA	15	\$ 80.89	\$ 1,213.35
	NUT, STOP (ELASTIC) 5/16-18 - Part # 0719-3218SS	EA	200	\$ 1.15	\$ 230.00
	CORD GRIP, 1/2 INCH NPT W/ O-RING - NA0045G02	EA	10	\$ 15.06	\$ 150.60
	Cutter Wheel, Machined - NC0008P02	EA	15	\$ 123.23	\$ 1,848.45
	Level Sensor Housing, Alarm - ND0013P08	EA	12	\$ 44.50	\$ 534.00
	Level Sensor Housing, On/Off - ND0012P07	EA	12	\$ 52.25	\$ 627.00
	Rotor, Pump, Machined and Polished - PC0054P02	EA	12	\$ 180.67	\$ 2,168.04
	GROOVE PIN, 5/32 INCH D, 1 INCH LG - 0721-E058	EA	5	\$ 0.78	\$ 3.90
	EQD Assembly, Core Side - ND0037G01	EA	15	\$ 122.30	\$ 1,834.50
	EQD Assembly, Supply Cable Side - ND0036G01	EA	15	\$ 86.53	\$ 1,297.95
	Mechanical Seal Kit - NC0040G01	EA	15	\$ 55.60	\$ 834.00
	HOSE FLEX DISCHARGE KIT - PC0542G01	EA	5	\$ 163.47	\$ 817.35
	CORE CABLE ASSEMBLY, SERVICE, 7', HARDWIRED - ND0128G06	EA	5	\$ 248.26	\$ 1,241.30
	SHREDDER RING, EXTREME - ND0008P01	EA	5	\$ 101.35	\$ 506.75
	CIRCUIT BREAKER, 1 POLE, 15A, DIN RAIL MT - PB0682P01	EA	10	\$ 31.20	\$ 312.00
	RELAY, AUTO XFR, GEN RECEPTACLE, SENTRY - PA1927P02	EA	10	\$ 106.01	\$ 1,060.10
	ANTI-SYPHON CHECK VALVE ASM, FOR WETWELL & UPGRADE - NC0032G02	EA	10	\$ 211.46	\$ 2,114.60
	LEVEL SENSOR ASSEMBLY, HARDWIRED - NC0033G01	EA	3	\$ 279.88	\$ 839.64
	Supply Cable, 32' Length - ND0036G06	EA	10	\$ 210.00	\$ 2,100.00
	Wire Splice Connector, 3 Wire (Lever Type) - NA0487P01	EA	50	\$ 1.48	\$ 74.00
	O-RING, 4.975 X 5.525, BUNA - 0310-429B	EA	20	\$ 3.29	\$ 65.80



QUOTATION

Number: 7-15-22
 Revision: -
 Revision Date: N/A

	SCREW, HEX, SS, 5/16-18 X 2 INCH - 0073-7032	EA	70	\$	1.79	\$	125.30
	WASHER, PLAIN, SS, 5/16 INCH - 0707-7002	EA	70	\$	0.64	\$	44.80
	SCREW, HEX, 1/4-20 X 1.0 LG - PA1399P02	EA	70	\$	0.64	\$	44.80
	SCREW, HEX HD, 1/4-20 x .75 - PA1399P01	EA	40	\$	0.49	\$	19.60
	WASHER, PLAIN, SS 1/4 - 0706-6002	EA	40	\$	0.16	\$	6.40
	SCREW, LOCK, HEX, 10-24 X .75L - BA1398P01	EA	40	\$	0.83	\$	33.20
	SCREW, SOCKET HEAD, 10-24 X .50, PRE-COTE, CONTROL BRACKET -NA0015P01	EA	12	\$	0.23	\$	2.76
	SLIDE FACE RECEIVER ASSMEBLY - BC0542G10	EA	40	\$	111.06	\$	4,442.40
	SLIDER, FOR SLIDEFACE RECEIVER (NO O-RINGS) - BC0600P01	EA	12	\$	17.09	\$	205.08
	OVI/AS O-RING, 1.609 X 1.887, BUNA N - 0310-223B	EA	5	\$	0.85	\$	4.25
	ORING, SLIDE FACE (1.57 x .197) (AMGP, 1000, 300) - PA0514P01	EA	3	\$	6.04	\$	18.12
7	Tools & Test Equipment & Chemicals:						
	HAND PUMP, VACUUM/PRESS - PA1019G01	EA	1	\$	275.89	\$	275.89
	FITTING/ADAPTER, 1/8NPT X 3/16 BARB (CONTROL CAVITY TEST) - NA0219P06	EA	2	\$	3.42	\$	6.84
	MOTOR AIR TEST FIXTURE - PA1198P01	EA	2	\$	22.94	\$	45.88
	LOCTITE 641, 10 mL, BEARINGS - 0323-049	EA	2	\$	33.29	\$	66.58
	LOCTITE 598, 0.5 OZ, CABLE ENTRY - NA0161P02	EA	5	\$	11.25	\$	56.25
	SILICONE, MOLYCOTE 55, 5.3 OZ - NA0008P02	EA	3	\$	52.43	\$	157.29
	GREASE, SILICONE, 5.3 OZ - Part # 0302-005	EA	3	\$	34.81	\$	104.43
	EQUALIZER ASSEMBLY -NC0034G01	EA	10	\$	95.74	\$	957.40
	CIRCUIT BREAKER, 2 POLE, 15A, DIN RAIL MT - EB0683P01	EA	10	\$	62.22	\$	622.20
	FLAT WASHER #10 -0706-5002	EA	40	\$	0.40	\$	16.00
						TOTAL	\$ 47,532.03

ITEMS INCLUDED IN ABOVE PRICING:

- All pumps include 32' cables
- Submittals
- Delivery to Jobsite in Truckload Quantities per FREIGHT Item below
- Warranty - Per E/One's standard Limited Warranty for a period as described above from start up date

ITEMS NOT INCLUDED:

- Installation, field piping, field wiring, concrete ballast, taxes of any kind or type, nor any item not specifically included in this proposal

E/ONE STANDARD TERMS FOR PSL ARE ATTACHED:

Net 30 days from the date of invoice at time of shipment. Environment One's standard Terms and Conditions are attached and are considered to be part of this quotation proposal

FREIGHT:

- FOB Destination, Freight Prepaid and Allowed in Truckload Quantities (200 Pump Cores per Truckload)

DELIVERY:

- 4 Weeks ARO

VALIDATION:

- This proposal is valid for 30 days from date above

U.S. export control laws apply to the products and technologies covered by this quotation. Export or re-export of these products or technologies may require the prior approval of the U.S. government in accordance with the Export Administration Regulations, and OFAC rules, and customer agrees to notify Environment One Corporation, Inc. of any such intended export or re-export. Diversion contrary to U.S. law is prohibited.

On Behalf of Environment One Corp.

Chris Nedwick
cnedwick@eone.com
 (518) 596-2186



Environment One Corp - 2773 Balltown Road - Niskayuna, NY 12309
 Phone: (518) 346-6161 Fax: (518) 346-4382

QUOTATION

6/8/2022

Revision : -

Revision Date: N/A

Thank you for your interest in Environment One, its products and services.
 We are pleased to offer this quotation for your consideration.

To: City of Port St. Lucie - Utility Systems Department 900 SE Ogden Ln Port St. Lucie FL, 34983	ORIGINAL DATE	20-May-22
	REFERENCE	PSL Commercial Stations
Attn: Laney Southerly, PE Engineering Manager, Port St. Lucie Utilities 772-873-6442		
Project: PSL-USD/Port St. Lucie FL, 34983		

Item No.	Items	Unit	Quantity	Unit Price	Total Price
1	WH472- 96 (W001S67D14T) WT47 - 96 in. Total Station Height 52 in. Discharge Cover 1. 6 in. DWV (SCH40) Field Installed Grommet	EA	1	\$ 4,494.00	\$ 4,494.00
2	W-Series Grinder Pumps (W200P10AAF) 240 Volt Model 7 Core Cable 72 in. Flexi Hose	EA	2	\$ 2,508.00	\$ 5,016.00
3	Duplex Panel with GEN-AUTO (PC0919G82) T260 240V Gen-Rec W/ Auto Transfer, Hour Meters & GFCI	EA	1	\$ 1,792.00	\$ 1,792.00
4	NC0193G01 - Curb Stop Kit, Stainless Steel, 1-1/4" Compression Fittings for SDR 11	EA	1	\$ 158.00	\$ 158.00
TOTAL					\$ 11,460.00

ITEMS INCLUDED IN ABOVE PRICING:

- All pumps include 32' cables & discharge components
- Submittals
- Delivery to Jobsite in Truckload Quantities per FREIGHT Item below
- Warranty - Per E/One's standard Limited Warranty for a period as described above from start up date

ITEMS NOT INCLUDED:

- Installation, field piping, field wiring, concrete ballast, taxes of any kind or type, nor any item not specifically included in this proposal

E/ONE STANDARD TERMS FOR PSL ARE ATTACHED:

- Net 30 days from the date of invoice at time of shipment. Environment One's standard Terms and Conditions are attached and are considered to be part of this quotation proposal

FREIGHT:

- FOB Destination, Freight Prepaid and Add.
- FOB Destination, Freight Prepaid and Allow if order can be consolidated into an existing PSL FTL


DELIVERY:

- FOUR Weeks ARO

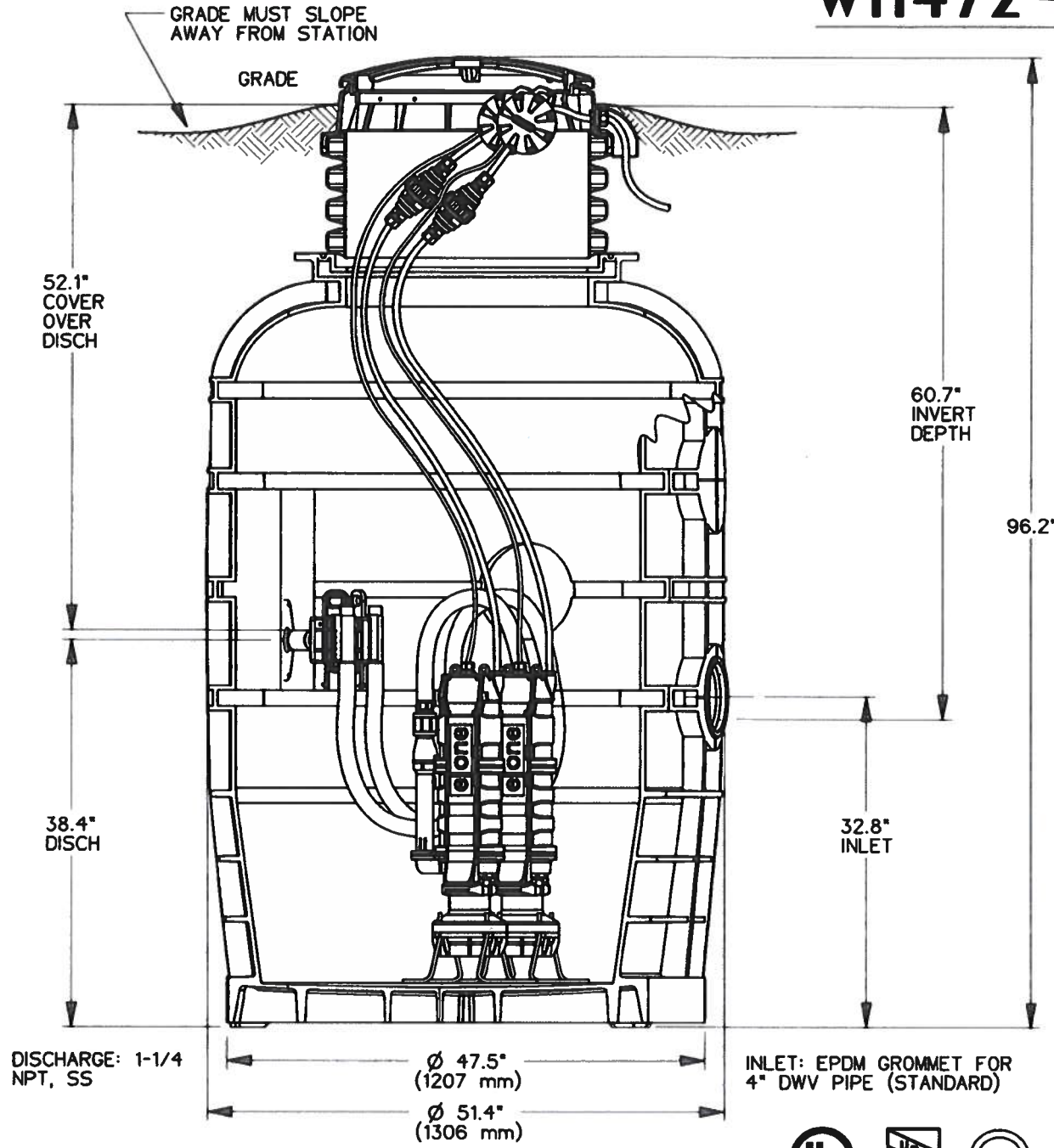
VALIDATION:

- This proposal is valid for 30 days from date above

U.S. export control laws apply to the products and technologies covered by this quotation. Export or re-export of these products or technologies may require the prior approval of the U.S. government in accordance with the Export Administration Regulations, and OFAC rules, and customer agrees to notify Environment One Corporation, Inc. of any such intended export or re-export. Diversion contrary to U.S. law is prohibited.


On Behalf of Environment One Corp.

 Chris Nedwick
cnedwick@eone.com
 (518) 596-2186

WH472-96



CONCRETE BALLAST MAY BE REQUIRED
SEE INSTALLATION INSTRUCTIONS
FOR DETAILS

NOTE: DIMENSIONS ARE FOR REFERENCE ONLY
Contract #20210104 Page 6 of 11

SGS		11/27/18	1	1/16
DR BY	CHK'D	DATE	ISSUE	SCALE
				
MODEL WH472-96				
ESD 18-0136 Amendment #1				



Environment One Corp. · 2773 Balltown Road · Niskayuna, NY 12309
 Phone: (518) 346-6161 Fax: (518) 346-4382

QUOTATION

Number: 6/6/22
 Revision: -
 Revision Date: N/A

Thank you for your interest in Environment One, its products and services.
 We are pleased to offer this quotation for your consideration.

To: City of Port St. Lucie - Utility Systems Department 900 SE Ogden Ln Port St. Lucie FL, 34983	ORIGINAL DATE	20-May-22
	REFERENCE	PSL Commercial Stations
Attn: Laney Southerly, PE Engineering Manager, Port St. Lucie Utilities 772-873-6442		
Project: PSL-USD/Port St. Lucie FL, 34983		

Item No.	Items	Unit	Quantity	Unit Price	Total Price
1	WH472- 107 (W001S48D14T) WT47 - 107 in. Total Station Height 61.5 in. Discharge Cover 1.6 in. DWV (SCH40) Field Installed Grommet	EA	1	\$ 4,595.00	\$ 4,595.00
2	W-Series Grinder Pumps (W200P10AAF) 240 Volt Model 7 Core Cable 72 in. Flexi Hose	EA	2	\$ 2,508.00	\$ 5,016.00
3	Duplex Panel with GEN-AUTO (PC0919G82) T260 240V Gen-Rec W/ Auto Transfer, Hour Meters & GFCI	EA	1	\$ 1,792.00	\$ 1,792.00
4	NC0193G01 - Curb Stop Kit, Stainless Steel, 1-1/4" Compression Fittings for SDR 11	EA	1	\$ 158.00	\$ 158.00
TOTAL					\$ 11,561.00

ITEMS INCLUDED IN ABOVE PRICING:

- All pumps include 32' cables & discharge components
- Submittals
- Delivery to Jobsite in Truckload Quantities per FREIGHT Item below
- Warranty - Per E/One's standard Limited Warranty for a period as described above from start up date

ITEMS NOT INCLUDED:

- Installation, field piping, field wiring, concrete ballast, taxes of any kind or type, nor any item not specifically included in this proposal

E/ONE STANDARD TERMS FOR PSL ARE ATTACHED:

- Net 30 days from the date of invoice at time of shipment. Environment One's standard Terms and Conditions are attached and are considered to be part of this quotation proposal

FREIGHT:

- FOB Destination, Freight Prepaid and Add.
- FOB Destination, Freight Prepaid and Allow if order can be consolidated into an existing PSL FTL


DELIVERY:

- FOUR Weeks ARO

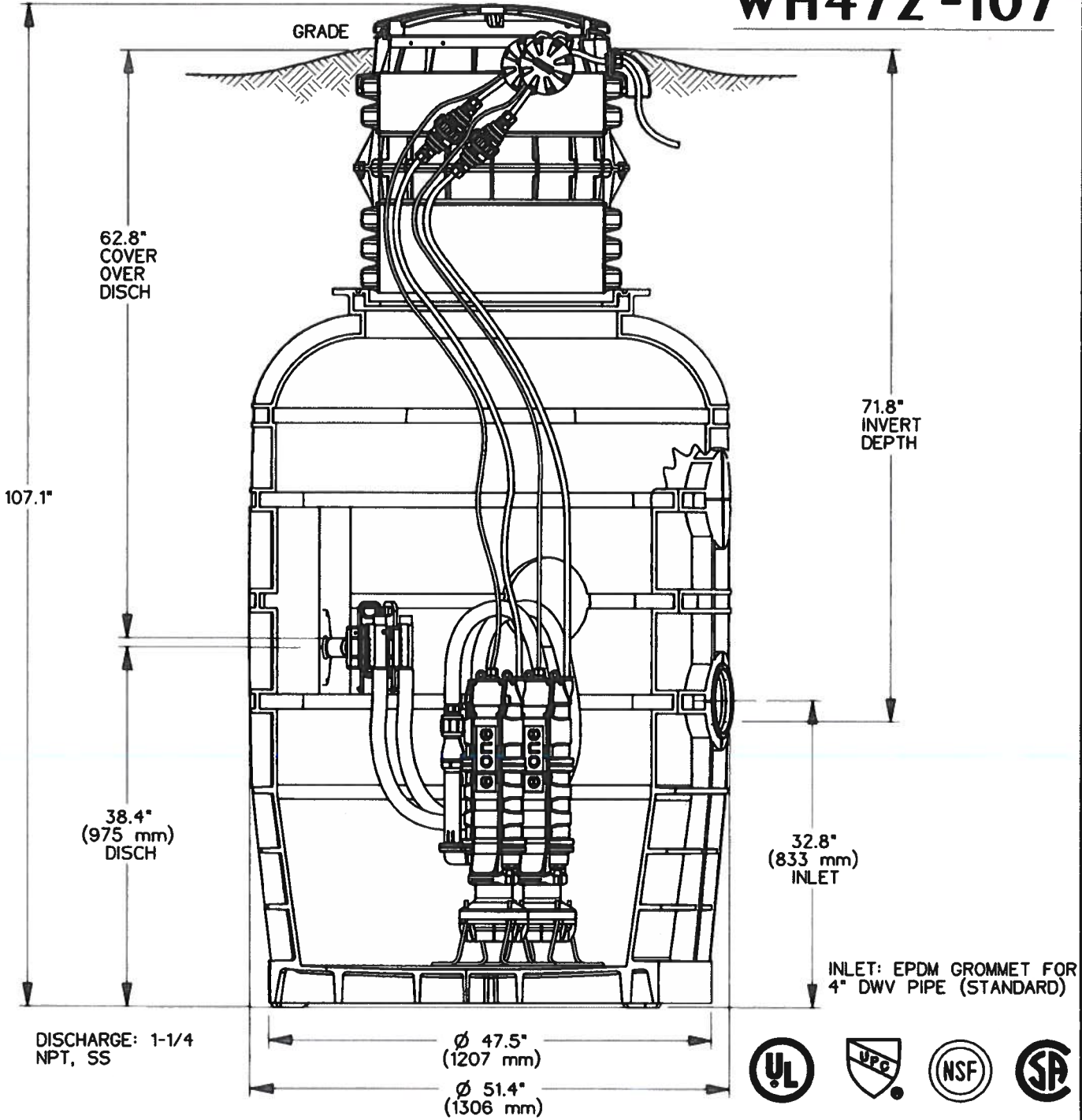
VALIDATION:

- This proposal is valid for 30 days from date above

U.S. export control laws apply to the products and technologies covered by this quotation. Export or re-export of these products or technologies may require the prior approval of the U.S. government in accordance with the Export Administration Regulations, and OFAC rules, and customer agrees to notify Environment One Corporation, Inc. of any such intended export or re-export. Diversion contrary to U.S. law is prohibited.

On Behalf of Environment One Corp.

 Chris Nedwick
cnedwick@eone.com
 (518) 596-2186

WH472-107



DISCHARGE: 1-1/4 NPT, SS

38.4" (975 mm) DISCH

62.8" COVER OVER OVER DISCH

107.1"

GRADE

71.8" INVERT DEPTH

32.8" (833 mm) INLET

INLET: EPDM GROMMET FOR 4" DWV PIPE (STANDARD)

Ø 47.5" (1207 mm)
Ø 51.4" (1306 mm)



CONCRETE BALLAST MAY BE REQUIRED
SEE INSTALLATION INSTRUCTIONS
FOR DETAILS

NOTE: DIMENSIONS ARE FOR REFERENCE ONLY

Contract #20210104

Page 8 of 11

SGS		06/15/21	1	1/20
DR BY	CHK'D	DATE	ISSUE	SCALE



WH472-107

ESD 21-0054
Amendment #1



Environment One Corp. - 2773 Balltown Road - Niskayuna, NY 12309
 Phone: (518) 346-6161 Fax: (518) 346-4382

QUOTATION

6/8/2022

Revision : -

Revision Date: N/A

Thank you for your interest in Environment One, its products and services.
 We are pleased to offer this quotation for your consideration.

To: City of Port St. Lucie - Utility Systems Department 900 SE Ogden Ln Port St. Lucie FL, 34983	ORIGINAL DATE	23-Jan-22
	REFERENCE	PSL Commercial Stations
Attn: Laney Southerly, PE Engineering Manager, Port St. Lucie Utilities 772-873-6442		
Project: PSL-USD/Port St. Lucie FL 34983		

Item No.	Items	Unit	Quantity	Unit Price	Total Price
1	WH472- 92 (W001S47D14T) WT47 - 92 in. Total Station Height 48.9 in. Discharge Cover 1. 6 in. DWV (SCH40) Field Installed Grommet	EA	1	\$ 4,436.00	\$ 4,436.00
2	W-Series Grinder Pumps (W200P10AAF) 240 Volt Model 7' Core Cable 72 in. Flexi Hose	EA	2	\$ 2,508.00	\$ 5,016.00
3	Duplex Panel with GEN-AUTO (PC0919G82) T260 240V Gen-Rec W/ Auto Transfer, Hour Meters & GFCI	EA	1	\$ 1,792.00	\$ 1,792.00
4	NC0193G01 - Curb Stop Kit, Stainless Steel, 1-1/4" Compression Fittings for SDR 11	EA	1	\$ 158.00	\$ 158.00
TOTAL					\$ 11,402.00

ITEMS INCLUDED IN ABOVE PRICING:

- All pumps include 32' cables & discharge components
- Submittals
- Delivery to Jobsite in Truckload Quantities per FREIGHT Item below
- Warranty - Per E/One's standard Limited Warranty for a period as described above from start up date

ITEMS NOT INCLUDED:

- Installation, field piping, field wiring, concrete ballast, taxes of any kind or type, nor any item not specifically included in this proposal

E/ONE STANDARD TERMS FOR PSL ARE ATTACHED:

- Net 30 days from the date of invoice at time of shipment. Environment One's standard Terms and Conditions are attached and are considered to be part of this quotation proposal

FREIGHT:

- FOB Destination, Freight Prepaid and Add.
- FOB Destination, Freight Prepaid and Allow if order can be consolidated into an existing PSL FTL


DELIVERY:

- FOUR Weeks ARO

VALIDATION:

- This proposal is valid for 30 days from date above

U.S. export control laws apply to the products and technologies covered by this quotation. Export or re-export of these products or technologies may require the prior approval of the U.S. government in accordance with the Export Administration Regulations, and OFAC rules, and customer agrees to notify Environment One Corporation, Inc. of any such intended export or re-export. Diversion contrary to U.S. law is prohibited.

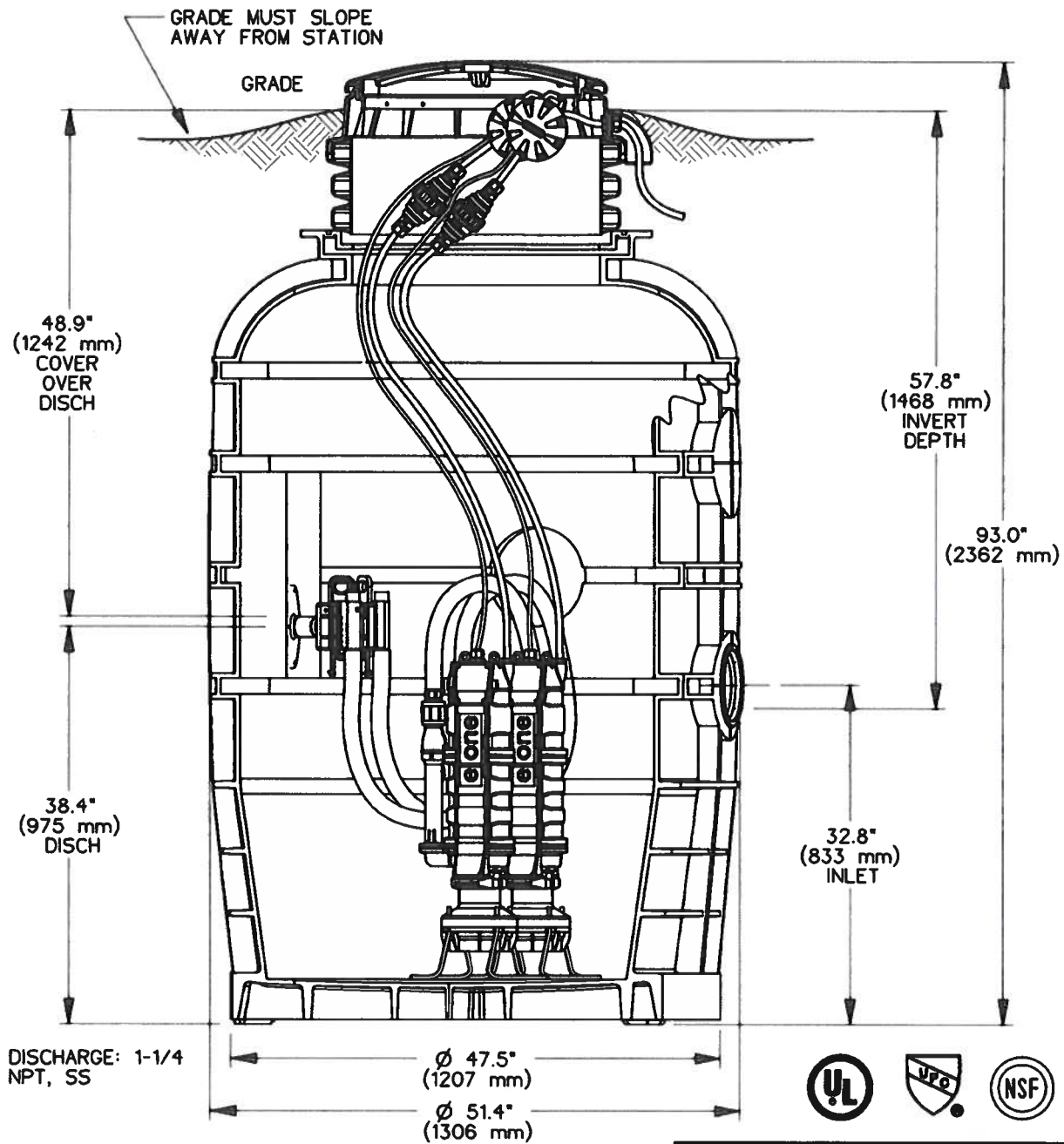
On Behalf of Environment One Corp.

 Chris Nedwick
cnedwick@eone.com
 (518) 596-2186

OPTIONS : **WH472-92**

(HARD WIRED
LEVEL CONTROLS)

WR472-92

(WIRELESS
LEVEL CONTROLS)



INLET: EPDM GROMMET FOR
4" DWV PIPE (STANDARD)

CONCRETE BALLAST MAY BE REQUIRED
SEE INSTALLATION INSTRUCTIONS
FOR DETAILS

NOTE: DIMENSIONS ARE FOR REFERENCE ONLY
Contract #20210104 Page 10 of 11

SGS	PD	12/28/10	B	1/16
DR BY	CHK'D	DATE	ISSUE	SCALE




MODEL WH472-92 / WR472-92

NA0223P04
Amendment #1


2. **SUCCESSORS AND ASSIGNS.** This Amendment shall be binding upon and inure to the benefit of the successors and permitted assigns of the parties hereto.
3. **ENTIRE AGREEMENT.** Except as expressly modified by this Amendment, the contract shall be and remain in full force and effect in accordance with its terms and shall constitute the legal, valid, binding and enforceable obligations to the parties. This Amendment and the contract (including any written amendments thereto), collectively, are the complete agreement of the parties and supersede any prior agreements or representations, whether oral or written, with respect thereto.

IN WITNESS WHEREOF, the parties have caused this Amendment to be duly executed by their authorized representatives.

CONTRACTOR

Contractor's Full Legal Name: (PLEASE TYPE OR PRINT)	Environment-One Corporation
Authorized Signature:	
Printed Name and Title of Person Signing:	Eric P. LaCoppola / President
Date:	8/3/22
Company Address:	2773 Balltown Road Niskayuna, NY 12309

THE CITY OF PORT ST. LUCIE

Authorized Signature:	
Printed Name and Title of Person Signing:	Caroline Sturgis, Director, Office of Management & Budget, and Procurement
Date:	8/25/2022
City Address:	121 S.W. Port St. Lucie Blvd., Port St. Lucie, FL 34984