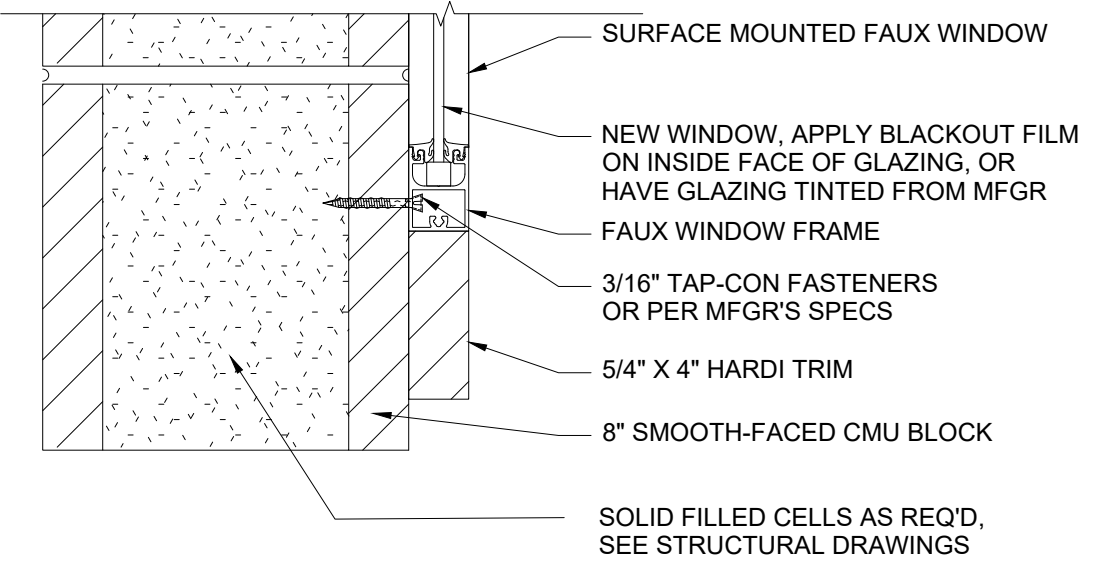


2 SURFACE MOUNTED FAUX WINDOW TOP  
A01 SCALE: 3/4"=1'-0"



3 SURFACE MOUNTED FAUX WINDOW BOTTOM  
A01 SCALE: 3/4"=1'-0"

1 FLOOR PLAN  
A01 SCALE: 1/8"=1'-0"

RELEASE DATE

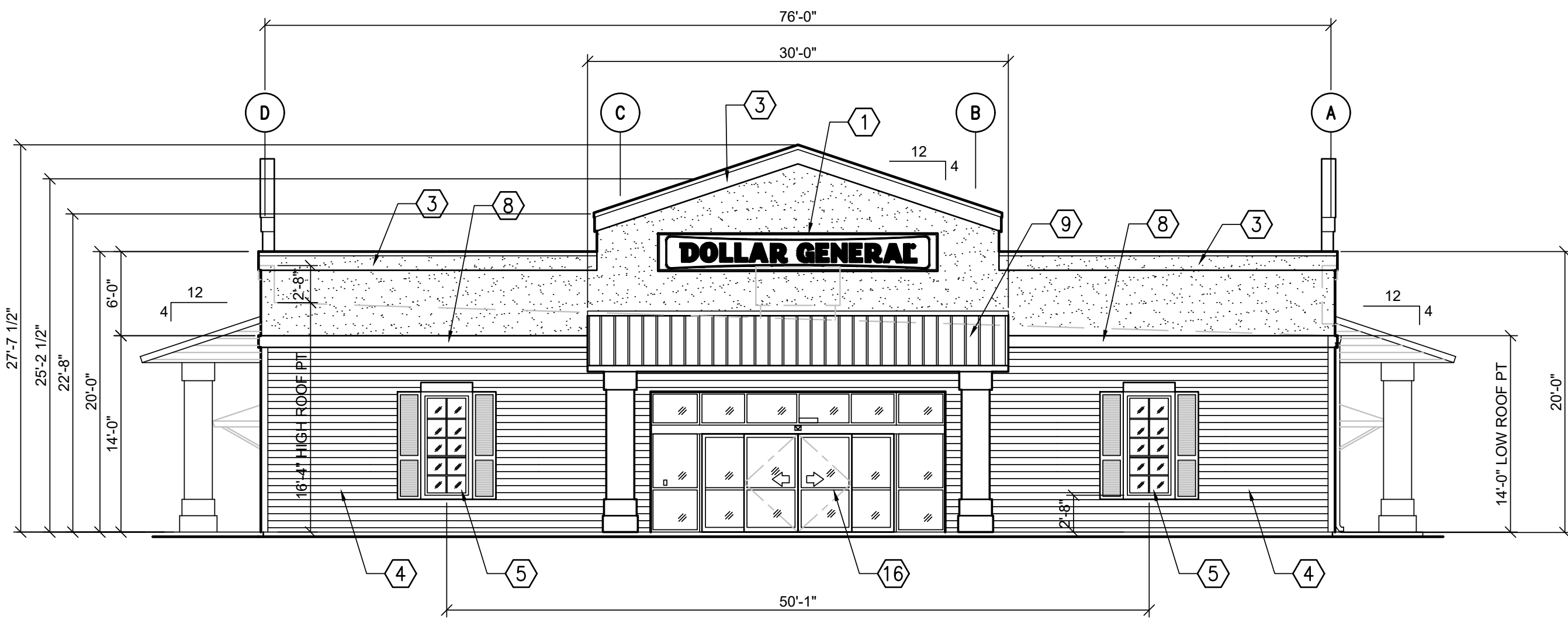

PROJECT NO.  
2020-124

ISSUE DATE  
06-02-2021

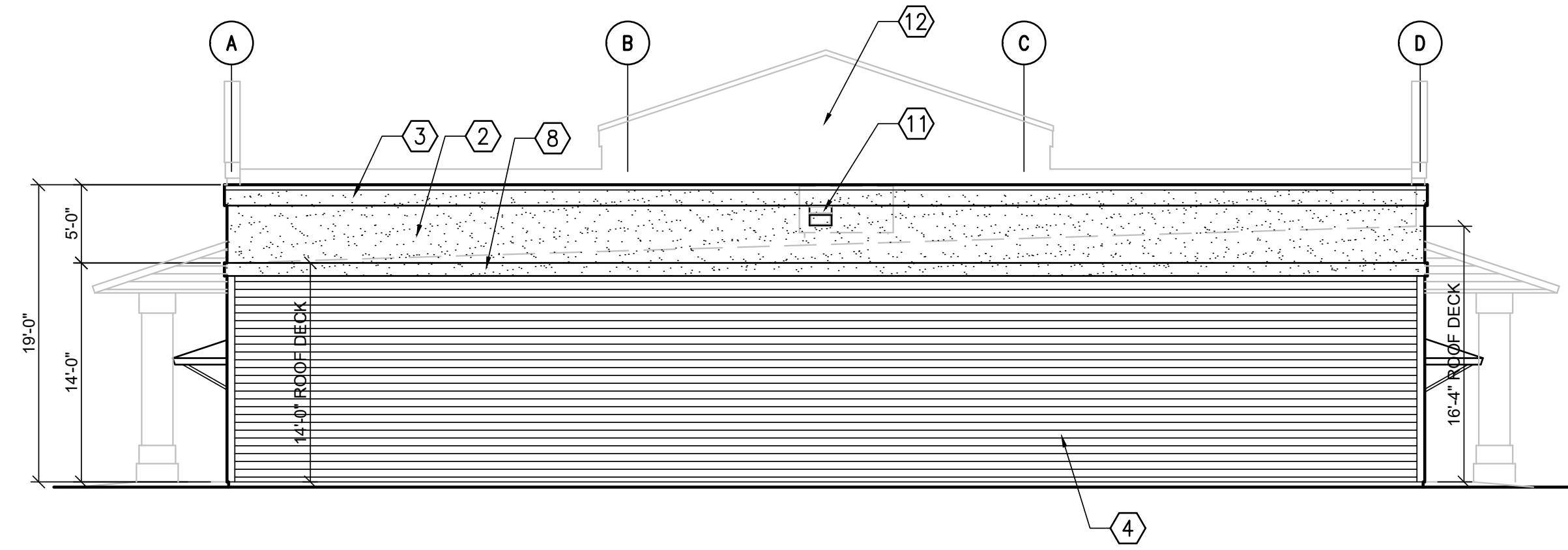
DRAWN CHECKED  
HDH HDH

SHEET NO.  
**A01**

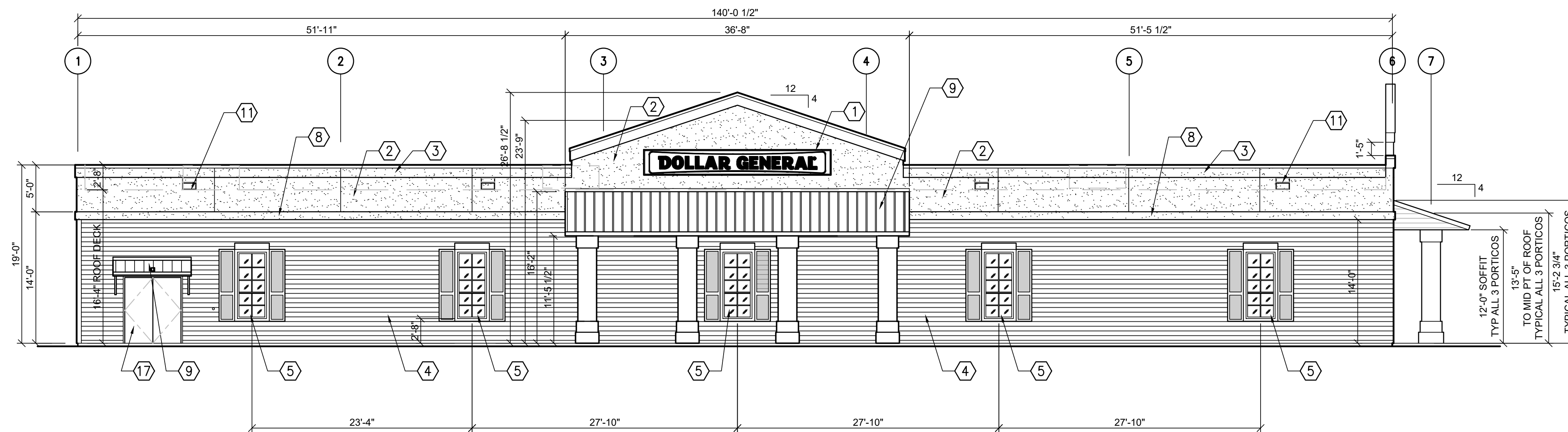
LIS EXPRESSLY RESERVES ITS COPYRIGHT AND ALL OTHER PROPERTY RIGHTS TO THESE DOCUMENTS AND THEIR DESIGN. HENCE, THEY ARE NOT TO BE REPRODUCED.



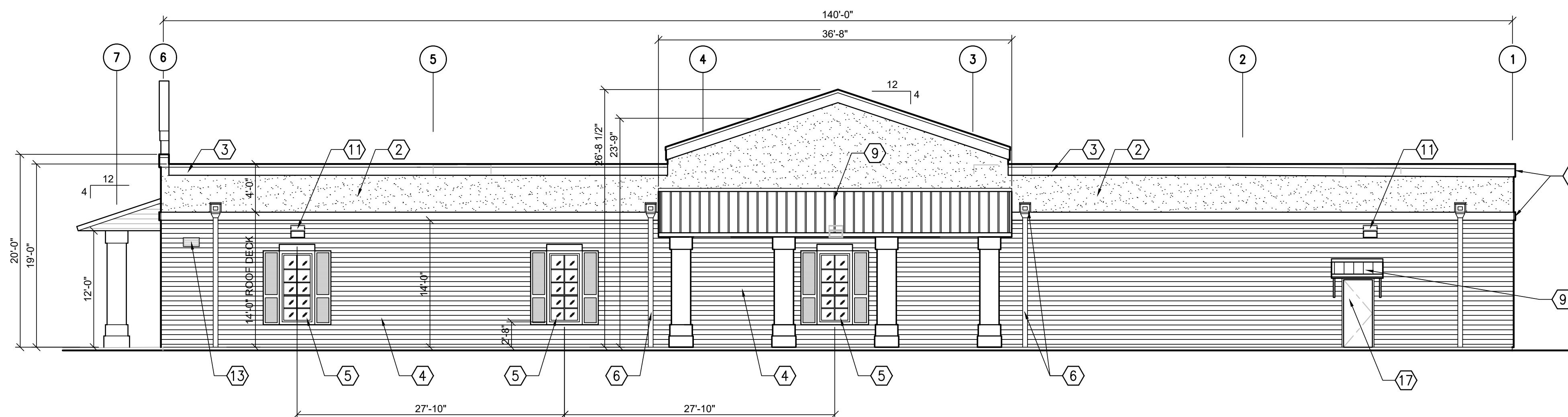
1 FRONT (WEST) ELEVATION  
A2 SCALE: 1/8" = 1'-0"



2 REAR ( EAST ) ELEVATION  
A2 SCALE: 1/8" = 1'-0"



4 NORTH SIDE ELEVATION (TRUCK SIDE)  
A2 SCALE: 1/8" = 1'-0"



3 SOUTH SIDE ELEVATION  
A2 SCALE: 1/8" = 1'-0"

ELEVATION KEYED NOTES

- 1 SIGN FURNISHED AND INSTALLED BY DOLLAR GENERAL CORP.
- 2 STUCCO. PAINT SW6099 "SAND DOLLAR"
- 3 12" RAISED STUCCO BAND. PAINT SW7006 "EXTRA WHITE"
- 4 HARDI HORIZONTAL LAP SIDING. PAINT SW6143 "BASKET BEIGE"
- 5 3070 FAUX WINDOWS W/WHITE FRAME AND SHUTTERS. PAINT SW7006 "EXTRA WHITE"
- 6 SCUPPERS AND DOWNSPOUTS
- 7 NOT USED
- 8 8" RAISED STUCCO BAND. PAINT SW7006 "EXTRA WHITE"
- 9 PRE-FINISHED MBCI STANDING SEAM METAL ROOF "POLAR WHITE"
- 10 NOT USED
- 11 WALL PAK LIGHT FIXTURE
- 12 PARAPET BEYOND
- 13 BATHROOM EXHAUST VENT GRILL
- 14 NOT USED
- 15 NOT USED
- 16 STOREFRONT ENTRY DOORS WITH TRANSOM GLASS "WHITE"
- 17 HOLLOW METAL DOOR "WHITE"

NOTE:  
ANY CHANGES TO THE ELEVATION DESIGN OR COLORS  
REQUIRE CITY APPROVAL.

NOTE:  
NO ROOF TOP EQUIPMENT WILL BE VISIBLE ABOVE THE  
HEIGHT OF THE PARAPET.

NOTE:  
SIGNS ARE NOT PART OF THE SITE APPROVAL PROCESS  
AND ARE REVIEWED SEPARATELY.

BUILDING ARCHITECTURAL ELEMENTS:

- a. PREDOMINANTLY VERTICAL, RECTANGULAR WINDOWS
- b. LIGHTLY STAINED / PAINTED WOOD IN A HORIZONTAL PATTERN
- c. SHUTTERS
- d. SQUARE COLUMNS
- e. PORTICO / PORTE COCHERE
- f. RAISED CORNICE OVER DOORS AND WINDOWS

LIS EXPRESSLY RESERVES ITS COPYRIGHT AND ALL OTHER PROPERTY RIGHTS TO THESE DOCUMENTS AND THEIR DESIGN. HENCE, THEY ARE NOT TO BE REPRODUCED.