

WATER AND SEWER IMPROVEMENT PLANS

FOR

VERANO P.U.D. NO. 1, PLAT NO. 22

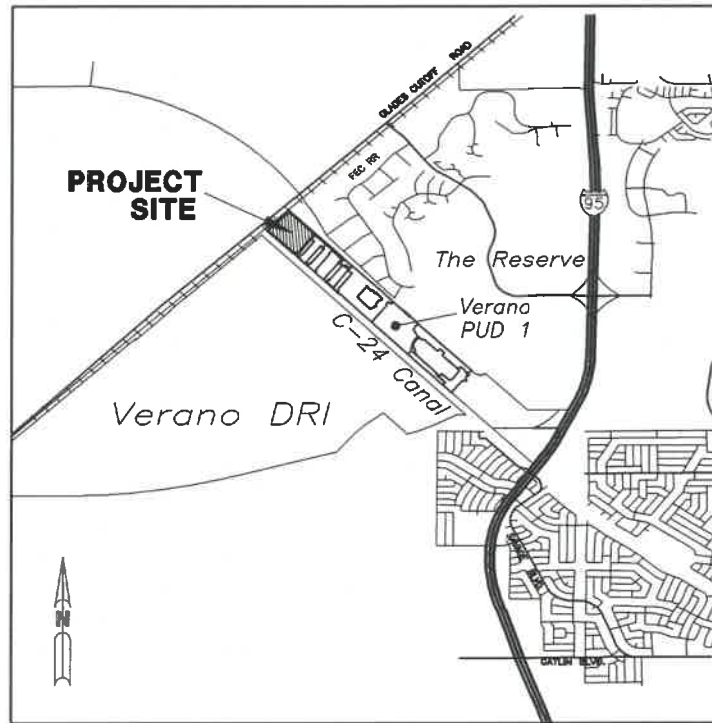
DEVELOPER: VERANO DEVELOPMENT, LLC
 10911 S.W. VISCONTI WAY
 PORT ST. LUCIE, FL 34986
 PHONE: 772-467-1299
 FAX: 772-467-1858

LEGAL DESCRIPTION:

BEGIN A REPLAT OF ALL OF TRACT "C46", VERANO P.U.D. NO. 1, PLAT NO. 19, ACCORDING TO THE PLAT THEREOF AS RECORDED IN PLAT BOOK 76, PAGES 9 THROUGH 13 AND ALL OF TRACT "A", VERANO P.U.D. NO. 1, PLAT NO. 21, ACCORDING TO THE PLAT THEREOF AS RECORDED IN PLAT BOOK 84, PAGES 1 THROUGH 3 ALL OF THE PUBLIC RECORDS OF ST. LUCIE COUNTY, FLORIDA, TOGETHER WITH A PORTION OF UNPLATTED LANDS LYING WITHIN SECTIONS 28 AND 29, TOWNSHIP 36 SOUTH, RANGE 39 EAST OF ST. LUCIE COUNTY, FLORIDA, IN THE CITY OF PORT ST. LUCIE, FLORIDA, BEING MORE PARTICULARLY DESCRIBED AS FOLLOWS:

BEGIN AT THE NORTHWEST CORNER OF STORMWATER MANAGEMENT TRACT "36", AS SHOWN ON SAID VERANO P.U.D. NO. 1, PLAT NO. 19; THENCE ALONG THE NORTHWESTERLY LINE OF SAID VERANO P.U.D. NO. 1, PLAT NO. 19 AND VERANO P.U.D. NO. 1, PLAT NO. 21 THROUGH THE FOLLOWING FOUR (4) COURSES, SOUTH 46°51'24" WEST, A DISTANCE OF 608.09 FEET TO A POINT OF CURVATURE OF A CURVE CONCAVE TO THE SOUTHEAST, HAVING A RADIUS OF 50.00 FEET; THENCE SOUTHWESTERLY, ALONG THE ARC OF SAID CURVE THROUGH A CENTRAL ANGLE OF 20°43'01", A DISTANCE OF 18.08 FEET TO A POINT OF REVERSE CURVATURE OF A CURVE CONCAVE TO THE NORTH, HAVING A RADIUS OF 225.00 FEET; THENCE WESTERLY, ALONG THE ARC OF SAID CURVE THROUGH A CENTRAL ANGLE OF 93°34'15", A DISTANCE OF 367.45 FEET; THENCE SOUTH 46°51'24" WEST, A DISTANCE OF 30.01 FEET TO A POINT ON THE NORTHEASTERLY RIGHT-OF-WAY LINE OF THE SOUTH FLORIDA WATER MANAGEMENT DISTRICT C-24 CANAL; THENCE ALONG SAID NORTHEASTERLY RIGHT-OF-WAY LINE, NORTH 43°08'37" WEST, A DISTANCE OF 1,371.11 FEET TO A POINT ON THE SOUTHEASTERLY RIGHT-OF-WAY LINE OF THE FLORIDA EAST COAST RAILWAY; THENCE ALONG SAID SOUTHEASTERLY RIGHT-OF-WAY LINE, NORTH 44°45'29" EAST, A DISTANCE OF 1,221.77 FEET TO POINT ON THE NORTHWESTERLY PROLONGATION OF THE SOUTHWESTERLY LINE OF SABAL CREEK PHASE II, ACCORDING TO THE PLAT THEREOF AS RECORDED IN PLAT BOOK 24, PAGES 1 AND 1A THROUGH 1C OF THE PUBLIC RECORDS OF ST. LUCIE COUNTY, FLORIDA; THENCE ALONG THE NORTHWESTERLY PROLONGATION OF THE SOUTHWESTERLY LINE OF SAID SABAL PALM PHASE II, SOUTH 43°34'29" EAST, A DISTANCE OF 3,127.76 FEET TO A POINT ON THE SOUTHEAST LINE OF SAID VERANO P.U.D. NO. 1 - PLAT NO. 19; THENCE ALONG SAID SOUTHEAST LINE, SOUTH 42°21'51" WEST, A DISTANCE OF 60.66 FEET TO A POINT ON THE NORTHEAST LINE OF LOTS 288 THROUGH 300 OF SAID VERANO P.U.D. NO. 1 - PLAT NO. 19 AND TO A POINT OF INTERSECTION WITH A NON-TANGENT CURVE, CONCAVE TO THE NORTHEAST, HAVING A RADIUS OF 1,033.50 FEET, THE RADIUS POINT OF SAID CURVE BEARS NORTH 42°21'51" EAST; THENCE NORTHWESTERLY ALONG SAID NORTHEAST LINE THROUGH THE FOLLOWING TWO (2) COURSES AND ALONG THE ARC OF SAID CURVE, THROUGH A CENTRAL ANGLE OF 09°38'29", A DISTANCE OF 155.88 FEET; THENCE NORTH 38°59'40" WEST, A DISTANCE OF 400.54 FEET TO A POINT ON THE SOUTHEAST LINE OF TRACT "C456" OF SAID VERANO P.U.D. NO. 1 - PLAT NO. 21; THENCE ALONG SAID SOUTHEAST LINE, NORTH 51°00'20" EAST, A DISTANCE OF 2.82 FEET TO A POINT ON THE NORTHEAST LINE OF SAID TRACT "C456"; THENCE ALONG SAID NORTHEAST LINE, NORTH 43°34'29" WEST, A DISTANCE OF 1,009.82 FEET TO A POINT ON THE NORTHWEST LINE OF SAID TRACT "C456"; THENCE ALONG THE NORTHWEST LINE OF SAID TRACT "C456" AND THE NORTHWEST LINE OF LOT 367 OF SAID VERANO P.U.D. NO. 1, PLAT NO. 21, SOUTH 47°21'20" WEST, A DISTANCE OF 178.88 FEET TO A POINT ON THE NORTHEASTERLY LINE OF TRACT "R-1" OF SAID VERANO P.U.D. NO. 1, PLAT NO. 21 AND TO A POINT OF INTERSECTION WITH A NON-TANGENT CURVE, CONCAVE TO THE NORTHEAST, HAVING A RADIUS OF 1,175.00 FEET, THE RADIUS POINT OF SAID CURVE BEARS NORTH 49°11'17" EAST; THENCE NORTHWESTERLY ALONG SAID NORTHEASTERLY LINE AND ALONG THE ARC OF SAID CURVE, THROUGH A CENTRAL ANGLE OF 00°01'54", A DISTANCE OF 0.85 FEET TO POINT ON THE NORTHWESTERLY LINE OF SAID VERANO P.U.D. NO. 1, PLAT NO. 21; THENCE ALONG SAID NORTHWESTERLY LINE, SOUTH 53°09'58" WEST, A DISTANCE OF 79.02 FEET TO THE POINT OF BEGINNING.

CONTAINING 44.279 ACRES, MORE OR LESS.



LOCATION MAP
N.T.S.

SECS. 28 & 29 TWP 36 S RGE 39 E

PREPARED BY:



1500 Gateway Boulevard, Suite 200 Boynton Beach, Florida 33426
 Tel: (561) 697-7000 Fax: (561) 369-4731 www.arcadis.com
 EB 7917 / LB 7062

INDEX OF SHEETS

SHEET No.	DESCRIPTION
1	COVER SHEET
2	UTILITY MASTER PLAN
3-6	WATER AND SEWER IMPROVEMENT PLAN
7-8	SEWER PROFILES
9-12	WATER AND SEWER DETAILS

REVISIONS:

PLANS ARE APPROVED FOR CONSTRUCTION OF WATER AND SEWER ONLY.
 ANY CONSTRUCTION OF FIBER OR REUSE IS AT YOUR OWN RISK.

UTILITIES DEPARTMENT

APPROVED

APPROVED AS NOTED

Port St. Lucie Utility Systems Department (PSLUSD) hereby releases these plans. No representation is made that these plans are accurate or complete nor does PSLUSD represent that these plans will meet the needs of the project. The Engineer of Record and the Utility Contractor are hereby notified that any work or product that fails to meet the standards or policy of the PSLUSD or applicable agencies will not be accepted. PSLUSD is not responsible for additional project costs or delays due to the inability of meeting said requirements.

BY LAlexander DATE 7/9/2020

SHEET TITLE

COVER SHEET

ROBERT W. LAWSON
 No. 26640

STATE OF FLORIDA
 PROFESSIONAL ENGINEER

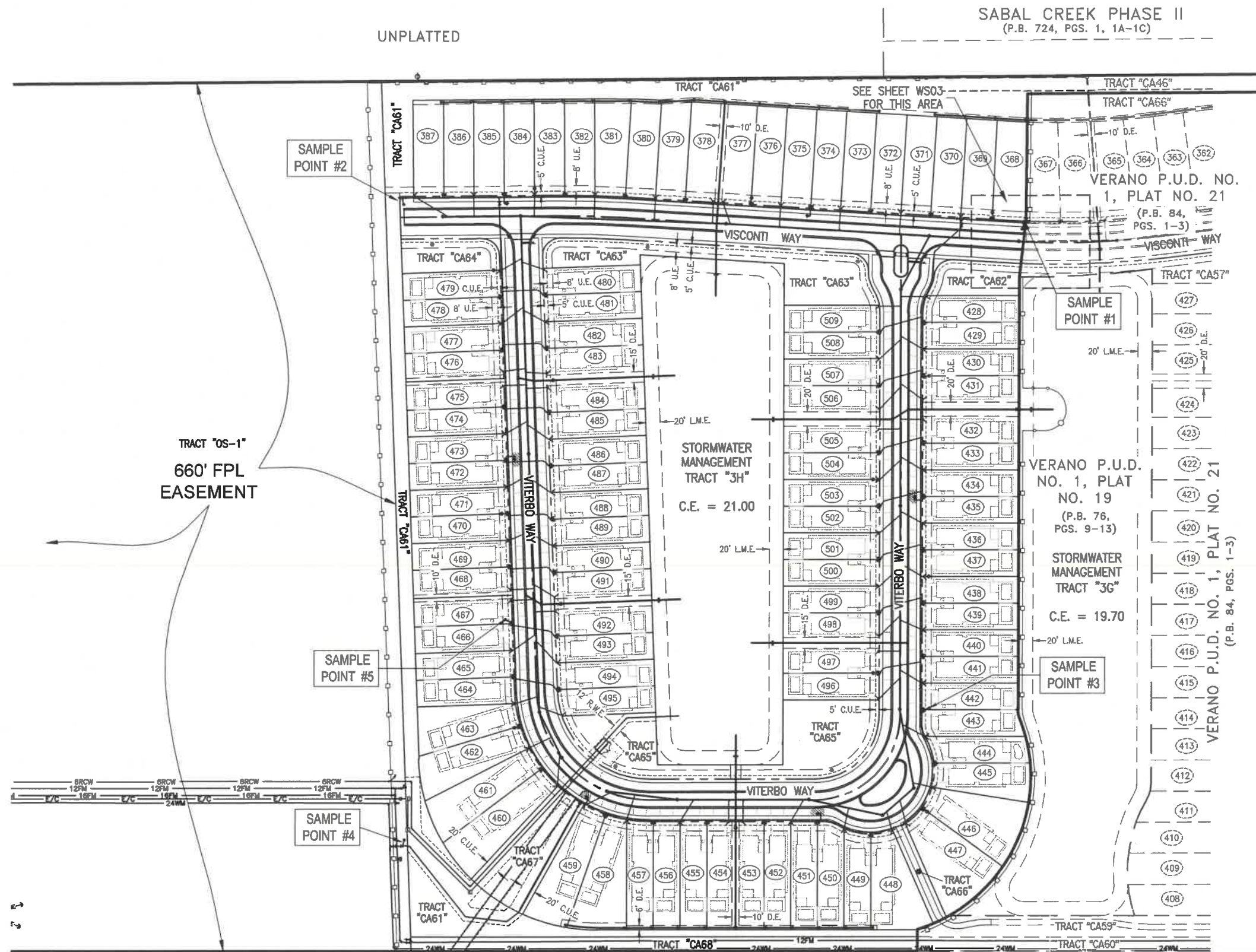
DATE	SCALE
AUGUST 2019	N.T.S.
PROJECT MANAGER	DEPARTMENT MANAGER
RWL	RWL
LEAD DESIGN PROF.	CHECKED BY
RWL	RWL
TASK/PHASE NUMBER	DRAWN BY
0000.0000P	JAF
PROJECT NUMBER	DRAWING NUMBER
WF883022	WS1 OF 12

DETAILS SHOWN HEREAN ARE PER CITY OF PORT S.T LUCIE UTILITY SYSTEMS DEPARTMENT UTILITY STANDARD DETAILS 2019 EDITION EFFECTIVE 01-04-2019

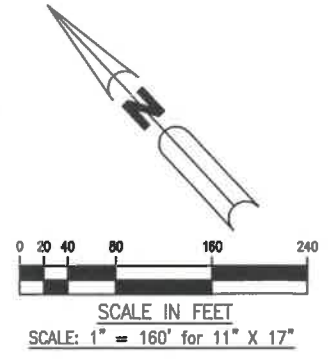
PSLUSD PROJECT NUMBER - 11-652-28
 CITY OF PORT ST. LUCIE PROJECT NUMBER - P20-082

Acad Version : R19.1s (LMS Tech)
 User Name : jltzgerald
 Date/Time : Tue, 07 Jul 2020 - 1:56pm
 Path/Name : C:\Users\jltzgerald\Documents\Jennie Files\WORK\DWG\VERANO_PUD\PLAT 22\ENGINEERING\MS PLANS\WF883022-MS PLANS.dwg
 Current Plotstyle : ByColor
 Layout Tab: W1

Accid Version : R19.1s (LMS Tech)
 User Name : jitzgerald
 Date/Time : Tue, 07 Jul 2020 - 1:58pm
 Path/Name : C:\Users\jitzgerald\Documents\Projects\VERANO P.U.D.\PLAT 22\ENGINEERING\WS PLANS\WF883022-WS02_MUP.dwg
 Current Plotstyle : ByColor
 Layout Tab: WS02
 Layout: TAB 22 ENGINEERING WS PLANS WF883022-WS02_MUP.dwg

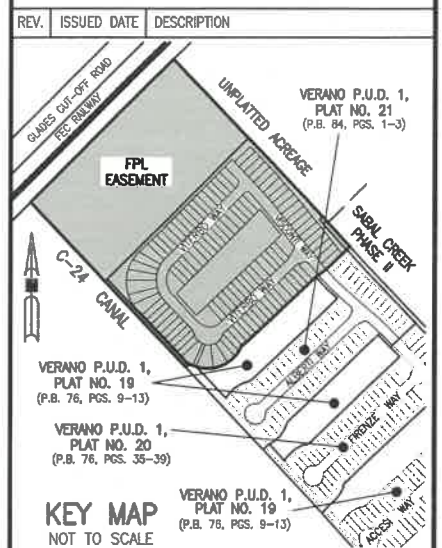


SABAL CREEK PHASE II
 (P.B. 724, PGS. 1, 1A-1C)



© 2019 ARCADIS U.S., Inc.

09-25-19	SPRC COMMENTS
02-18-20	REVISE LOT NUMBERS
04-29-20	PSLUSD REVISIONS
05-26-20	PSLUSD REVISIONS



PROJECT TITLE
VERANO P.U.D. NO. 1, PLAT NO. 22

SHEET TITLE
UTILITY MASTER PLAN

ARCADIS
 ARCADIS U.S., INC.
 1500 Gateway Boulevard, Suite 200
 Boynton Beach, Florida 33435
 Tel: (561) 687-7000 Fax: (561) 399-4731
 www.arcadis.com

ROBERT W. LAWSON
 No. 26149
 STATE OF FLORIDA
 PROFESSIONAL ENGINEER
 ROBERT W. LAWSON, P.E.
 FL CERT. NO. 28840

SAMPLE POINT SEPARATION	
NO.	DISTANCE
1-3	80'
2-5	741'
3-4	1139'
5-4	678'
3-5	927'

UTILITIES DEPARTMENT

APPROVED
 APPROVED AS NOTED

Port St. Lucie Utility Systems Department (PSLUSD) hereby releases these plans. No representation is made that these plans are accurate or complete nor does PSLUSD represent that these plans will meet the needs of the project. The Engineer of Record and the Utility Contractor are hereby notified that any work or product that fails to meet the standards or policy of the PSLUSD or applicable agencies will not be accepted. PSLUSD is not responsible for additional project costs or delays due to the inability of meeting said requirements.

By: L.Alexander DATE: 7/9/2020

PLANS ARE APPROVED FOR CONSTRUCTION OF WATER AND SEWER ONLY.

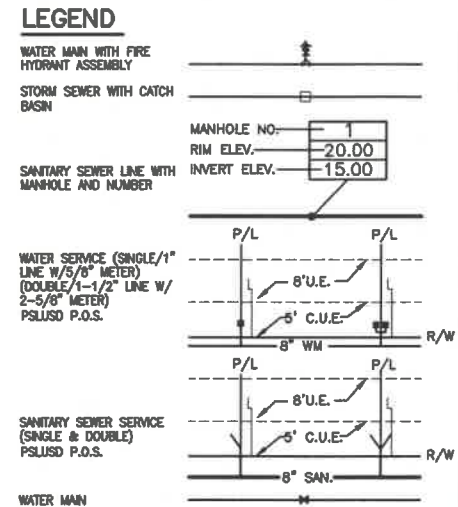
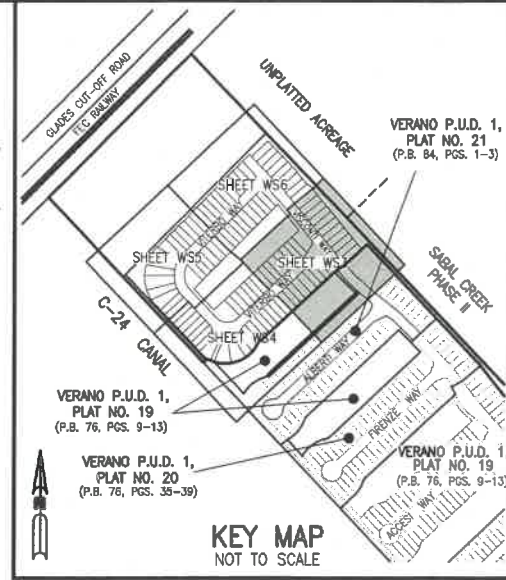
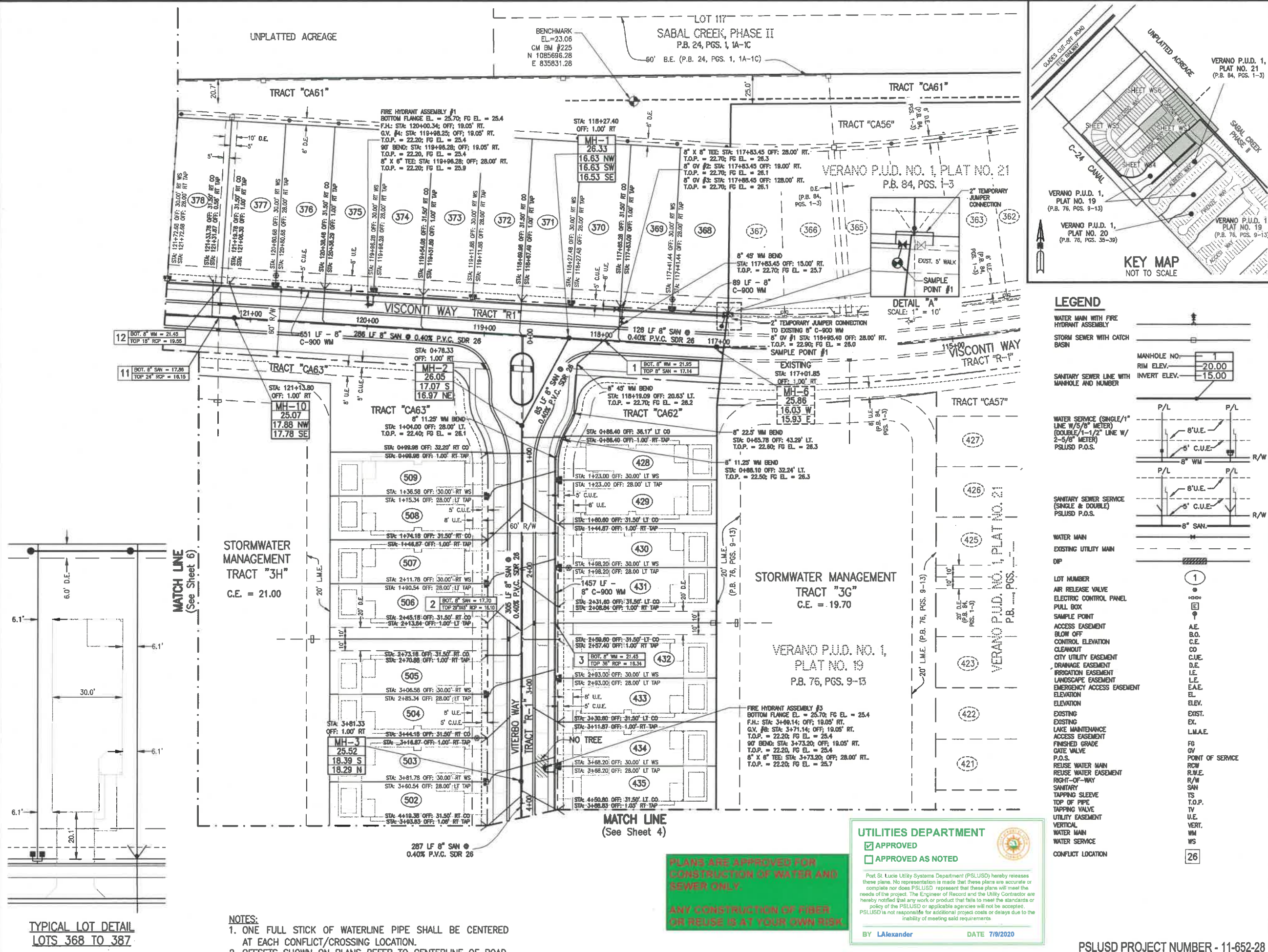
ANY CONSTRUCTION OF FIBER OR REUSE IS AT YOUR OWN RISK.

PSLUSD PROJECT NUMBER - 11-652-28
 CITY OF PORT ST. LUCIE PROJECT NUMBER - 20-082

DATE: AUGUST 2019
 PROJECT MANAGER: RWL
 LEAD DESIGN PROF.: RWL
 TASK/PHASE NUMBER: 0000.000DP
 PROJECT NUMBER: WF883022

DEPARTMENT MANAGER: RWL
 CHECKED BY: RWL
 DRAWN BY: JAF
 DRAWING NUMBER: WS2 OF 12

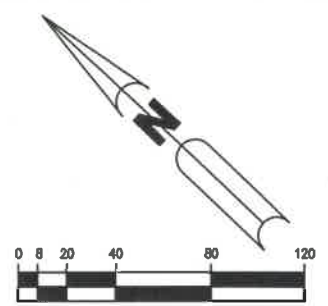
Acad Version : R19.1.1 (LMS Tech)
 User Name : jfzgrad
 Date/Time : Tue, 07 Jul 2020 - 1:59pm
 Current Plotstyle : ByColor
 Path Name : C:\Users\jfgzgrad\appdata\local\temp\Verano_Plan_10256\FR83022-WS_PLANS.dwg
 Layout Tab: WS3



© 2019 ARCADIS U.S., Inc.

08-25-19	SPRC COMMENTS
02-18-20	REVISE LOT NUMBERS
04-29-20	PSLUSD REVISIONS
05-28-20	PSLUSD REVISIONS

REV.	ISSUED DATE	DESCRIPTION
------	-------------	-------------



PROJECT TITLE
VERANO P.U.D. NO. 1, PLAT NO. 22

SHEET TITLE
WATER AND SEWER IMPROVEMENT PLAN

ARCADIS U.S., Inc.
 1500 Gateway Boulevard, Suite 200
 Boynton Beach, Florida 33426
 Tel: (561) 697-7000 Fax: (561) 599-1999
 www.arcadis-us.com

ROBERT W. LAWSON
 No. 26910
 STATE OF FLORIDA
 PROFESSIONAL ENGINEER
 ELEV. 26910
 EXIST. EX. L.M.A.E.
 FG. OF POINT OF SERVICE
 RCW. R.W.E.
 R/W SAN
 TS. T.O.P.
 TV. VERT. WM
 WS

DATE	AUGUST 2019	SCALE	1" = 40'
PROJECT MANAGER	RWL	DEPARTMENT MANAGER	RWL
LEAD DESIGN PROF.	RWL	CHECKED BY	RWL
TASK/PHASE NUMBER	0000.000DP	DRAWN BY	JAF
PROJECT NUMBER	WF883022	DRAWING NUMBER	WS3 OF 12

UTILITIES DEPARTMENT

APPROVED
 APPROVED AS NOTED

Port St. Lucie Utility Systems Department (PSLUSD) hereby releases these plans. No representation is made that these plans are accurate or complete nor does PSLUSD represent that these plans will meet the needs of the project. The Engineer of Record and the Utility Contractor are hereby notified that any work or product that fails to meet the standards or policy of the PSLUSD or applicable agencies will not be accepted. PSLUSD is not responsible for additional project costs or delays due to the inability of meeting said requirements.

BY LAlexander DATE 7/9/2020

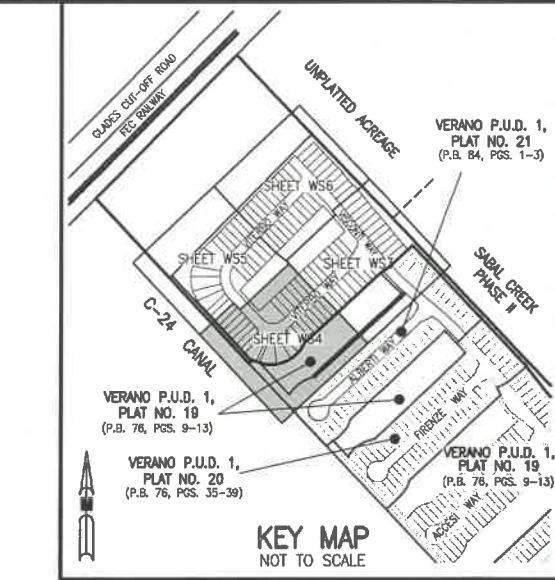
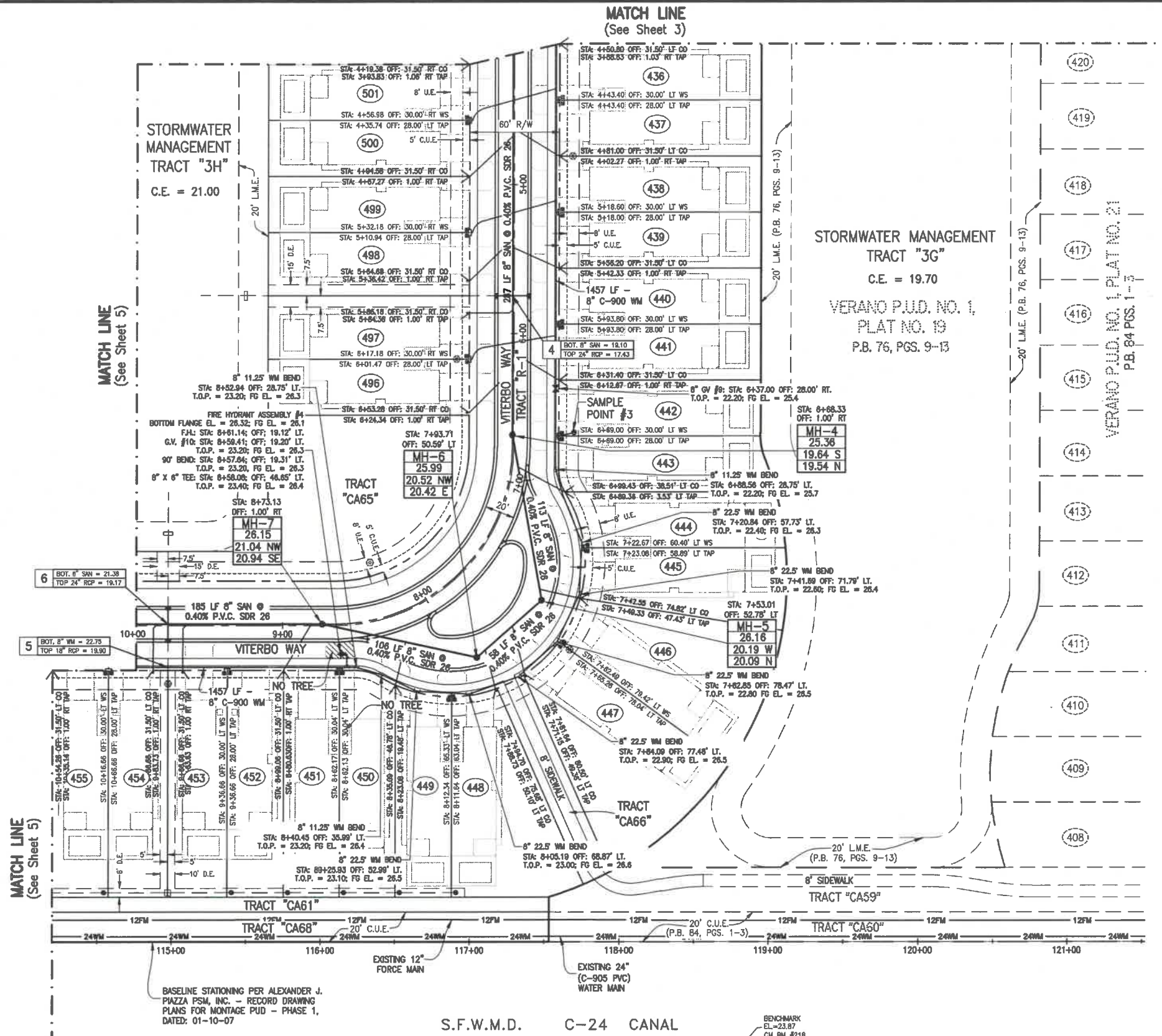
PLANS ARE APPROVED FOR CONSTRUCTION OF WATER AND SEWER ONLY.

ANY CONSTRUCTION OF FIBER OR REUSE IS AT YOUR OWN RISK.

- NOTES:
- ONE FULL STICK OF WATERLINE PIPE SHALL BE CENTERED AT EACH CONFLICT/CROSSING LOCATION.
 - OFFSETS SHOWN ON PLANS REFER TO CENTERLINE OF ROAD.

TYPICAL LOT DETAIL
LOTS 368 TO 387
 SCALE: 1" = 20'

Acad Version : R19.1s (LMS Tech)
 User Name : jfzgrad
 Date/Time : Tue, 07 Jul 2020 - 1:59pm
 Current Plotstyle : ByColor
 Path Name : C:\Users\jitzgrad\AppData\Local\Temp\Map\jtblah_10256\WR83022-WS_PLANS.dwg
 Layout Tab: WS4



LEGEND

- WATER MAIN WITH FIRE HYDRANT ASSEMBLY
- STORM SEWER WITH CATCH BASIN
- SANITARY SEWER LINE WITH MANHOLE AND NUMBER
- WATER SERVICE (SINGLE/1" LINE W/5/8" METER) (DOUBLE/1-1/2" LINE W/2-5/8" METER) PSLUSD P.O.S.
- SANITARY SEWER SERVICE (SINGLE & DOUBLE) PSLUSD P.O.S.
- WATER MAIN EXISTING UTILITY MAIN DIP
- LOT NUMBER
- AIR RELEASE VALVE
- ELECTRIC CONTROL PANEL
- PULL BOX
- SAMPLE POINT
- ACCESS EASEMENT
- BLOW OFF
- CONTROL ELEVATION
- CLEANOUT
- CITY UTILITY EASEMENT
- DRAINAGE EASEMENT
- IRRIGATION EASEMENT
- LANDSCAPE EASEMENT
- EMERGENCY ACCESS EASEMENT
- ELEVATION
- EXISTING
- EXISTING LAKE MAINTENANCE ACCESS EASEMENT
- FINISHED GRADE
- GATE VALVE
- P.O.S.
- REUSE WATER MAIN
- REUSE WATER EASEMENT
- RIGHT-OF-WAY
- SANITARY TAPPING SLEEVE
- TOP OF PIPE
- TAPPING VALVE
- UTILITY EASEMENT
- WATER MAIN
- WATER SERVICE
- CONFLICT LOCATION

© 2019 ARCADIS U.S., Inc.

09-25-19	SPRC COMMENTS
02-18-20	REVISE LOT NUMBERS
04-29-20	PSLUSD REVISIONS
05-26-20	PSLUSD REVISIONS

REV.	ISSUED DATE	DESCRIPTION

PROJECT TITLE
VERANO P.U.D. NO. 1, PLAT NO. 22

SHEET TITLE
WATER AND SEWER IMPROVEMENT PLAN

DATE AUGUST 2019	SCALE 1" = 40'
PROJECT MANAGER RWL	DEPARTMENT MANAGER RWL
LEAD DESIGN PROF. RWL	CHECKED BY RWL
TASK/PHASE NUMBER 0000.0000P	DRAWN BY JAF
PROJECT NUMBER WF883022	DRAWING NUMBER WS4 OF 12

UTILITIES DEPARTMENT

APPROVED

APPROVED AS NOTED

Port St. Lucie Utility Systems Department (PSLUSD) hereby releases these plans. No representation is made that these plans are accurate or complete nor does PSLUSD represent that these plans will meet the needs of the project. The Engineer of Record and the Utility Contractor are hereby notified that any work or product that fails to meet the standards or policy of the PSLUSD or applicable agencies will not be accepted. PSLUSD is not responsible for additional project costs or delays due to the inability of meeting said requirements.

BY LAlexander DATE 7/9/2020

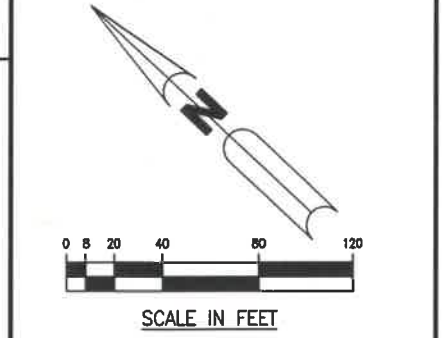
PSLUSD PROJECT NUMBER - 11-652-28
 CITY OF PORT ST. LUCIE PROJECT NUMBER - P20-082

NOTES:
 1. ONE FULL STICK OF WATERLINE PIPE SHALL BE CENTERED AT EACH CONFLICT/CROSSING LOCATION.
 2. OFFSETS SHOWN ON PLANS REFER TO CENTERLINE OF ROAD.

PLANS ARE APPROVED FOR CONSTRUCTION OF WATER AND SEWER ONLY.
ANY CONSTRUCTION OF FIBER OR REUSE IS AT YOUR OWN RISK.

© 2019 ARCADIS U.S., Inc.	
09-25-19	SPRC COMMENTS
02-18-20	REVISE LOT NUMBERS
04-29-20	PSLUSD REVISIONS
05-14-20	ADD 2" PVC CONDUIT
05-26-20	PSLUSD REVISIONS
07-06-20	ADD CASING PIPES

REV.	ISSUED DATE	DESCRIPTION



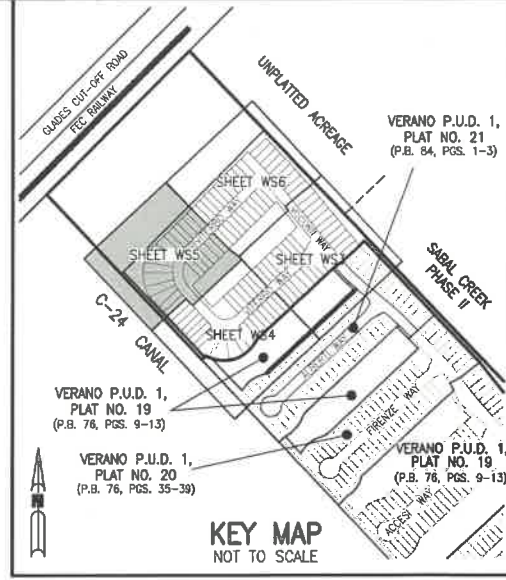
PROJECT TITLE
VERANO P.U.D. NO. 1, PLAT NO. 22

SHEET TITLE
WATER AND SEWER IMPROVEMENT PLAN

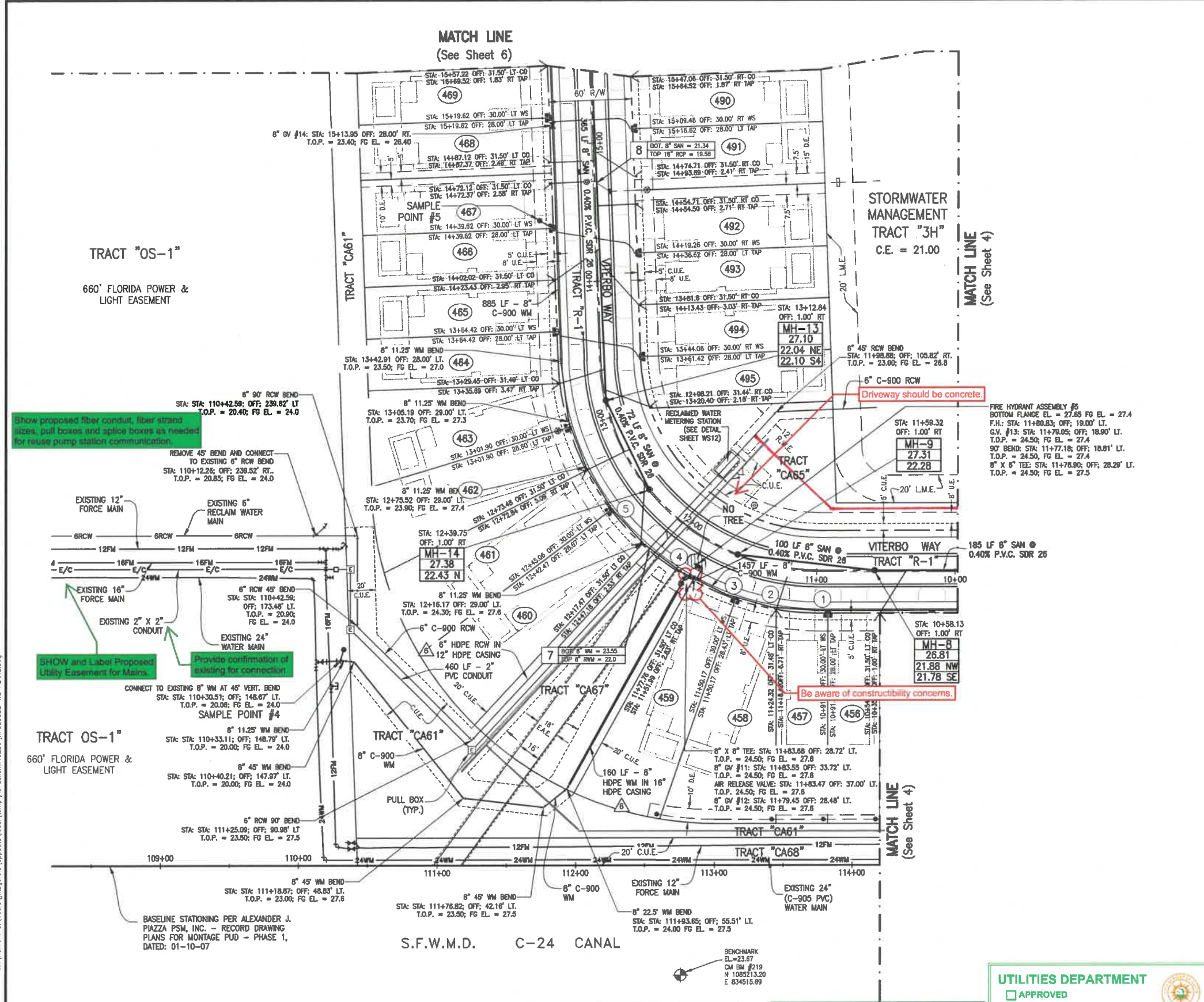
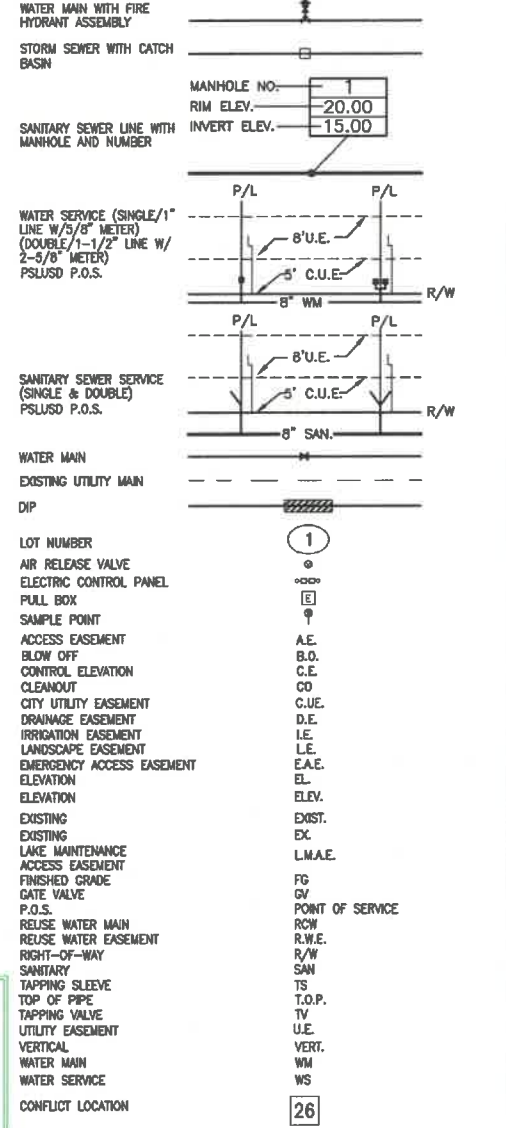
ARCADIS
ARCADIS U.S., Inc.
1500 Gateway Boulevard, Suite 200
Boynton Beach, Florida 33426
Tel: (561) 297-7000 Fax: (561) 389-4737
www.arcadis-us.com

PROFESSIONAL ENGINEER
No. 26640
STATE OF FLORIDA
J. LAWSON, P.E.
P.L. CERT. NO. 28840

DATE	AUGUST 2019	SCALE	1" = 40'
PROJECT MANAGER	RWL	DEPARTMENT MANAGER	RWL
LEAD DESIGN PROF.	RWL	CHECKED BY	RWL
TASK/PHASE NUMBER	0000.000DP	DRAWN BY	JAF
PROJECT NUMBER	WF883022	DRAWING NUMBER	WS5 OF 12



LEGEND



NOTES:
1. ONE FULL STICK OF WATERLINE PIPE SHALL BE CENTERED AT EACH CONFLICT/CROSSING LOCATION.
2. OFFSETS SHOWN ON PLANS REFER TO CENTERLINE OF ROAD.

ID	STA	OFF	LT	T.O.P.	FG EL.	BEND TYPE
1	STA: 104+99.55	OFF: 28.02'	LT	T.O.P. = 21.70;	FG EL. = 24.70	11.25' WM BEND
2	STA: 114+27.16	OFF: 29.00'	LT	T.O.P. = 21.70;	FG EL. = 24.70	11.25' WM BEND
3	STA: 114+56.83	OFF: 29.00'	LT	T.O.P. = 21.80;	FG EL. = 24.80	11.25' WM BEND
4	STA: 114+86.50	OFF: 29.00'	LT	T.O.P. = 21.80	FG EL. = 24.80	11.25' WM BEND
5	STA: 124+45.84	OFF: 29.00'	LT	T.O.P. = 24.10	FG EL. = 27.50	11.25' WM BEND

PLANS ARE APPROVED FOR CONSTRUCTION OF WATER AND SEWER ONLY.
ANY CONSTRUCTION OF FIBER OR REUSE IS AT YOUR OWN RISK.

UTILITIES DEPARTMENT
 APPROVED
 APPROVED AS NOTED

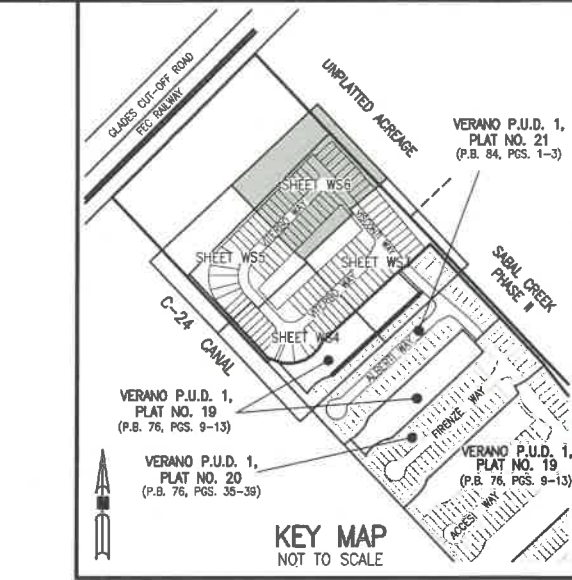
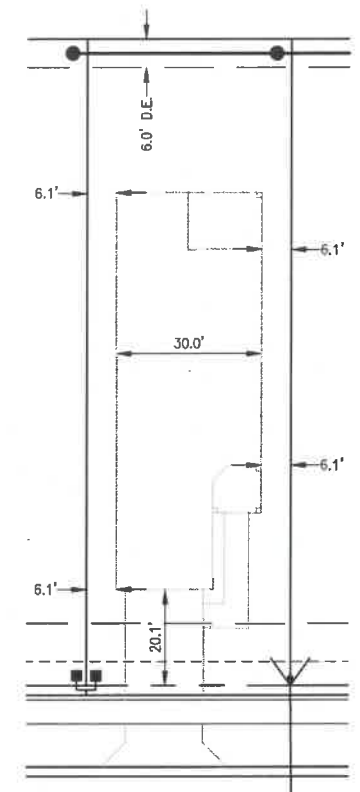
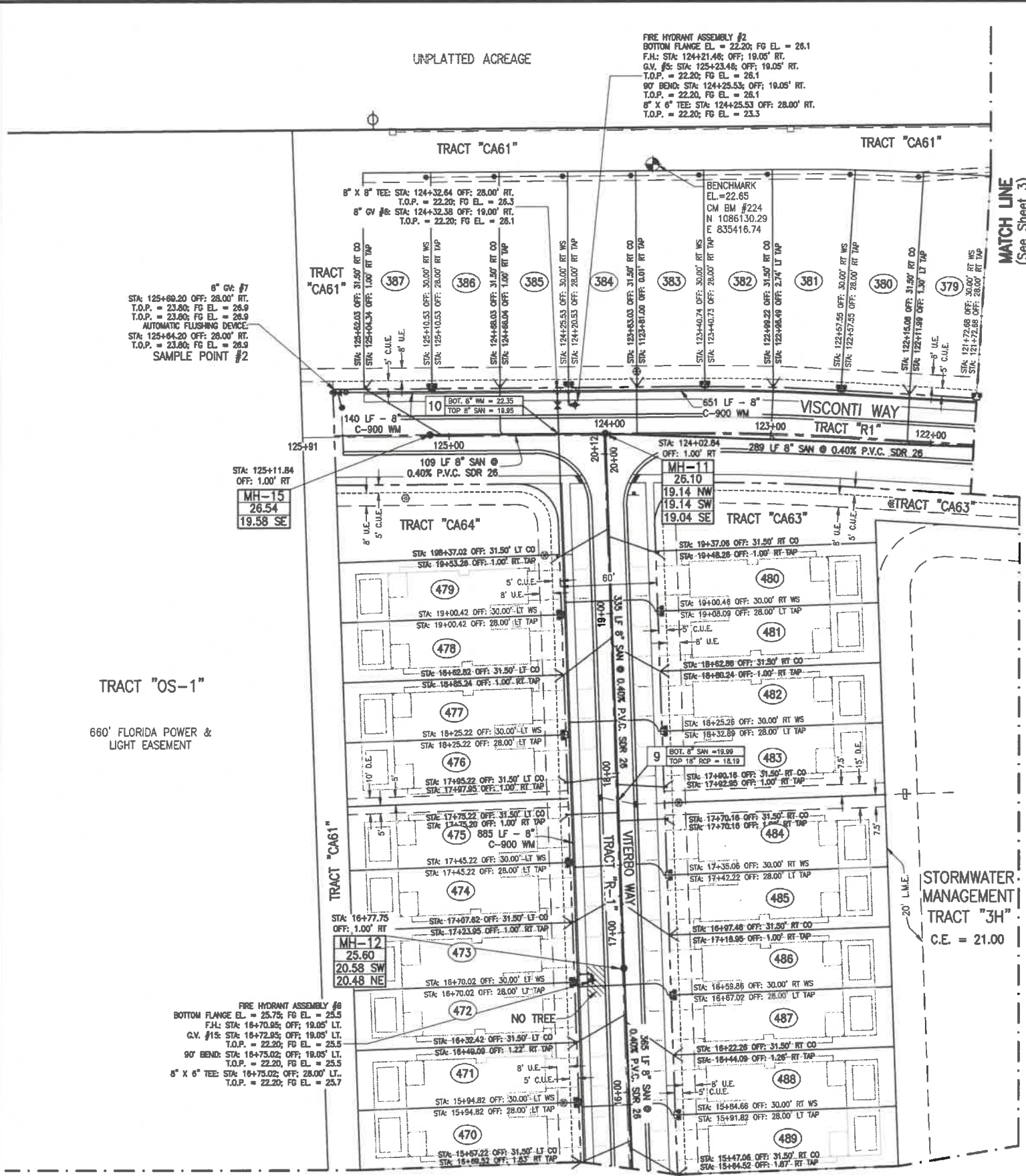
Port St. Lucie Utility Systems Department (PSLUSD) hereby releases these plans. No representation is made that these plans are accurate or complete nor does PSLUSD represent that these plans will meet the needs of the project. The Engineer of Record and the Utility Contractor are hereby notified that any work or product that fails to meet the standards or policy of the PSLUSD or applicable agencies will not be accepted. PSLUSD is not responsible for additional project costs or delays due to the inability of meeting said requirements.

BY **L.Alexander** DATE **7/9/2020**

PSLUSD PROJECT NUMBER - 11-652-28
CITY OF PORT ST. LUCIE PROJECT NUMBER - P20-082

Acad Version : R19.1.3 (MS Tech)
 User Name : jltzgerald
 Date/Time : Tue, 07 Jul 2020 - 1:59pm
 Path Name : C:\Users\jltzgerald\AppData\Local\Temp\Acp-Publish_102536\WSP3022-WS_PLANS.dwg
 Current: Pletsley, B/COLOR
 Layout: Tab: WS5

Acad Version: R15.1a (LMS Tech)
 User Name: jfzgrad
 Date/Time: Tue, 07 Jul 2020 - 1:59pm
 Path Name: C:\Users\jitzgrad\appdata\local\temp\vepublita_10256\WR83022-WS_PLANS.dwg
 Current Plotstyle: ByColor
 Layout Tab: WS6



© 2019 ARCADIS U.S., Inc.

09-25-19	SPRC COMMENTS
02-18-20	REVISE LOT NUMBERS
04-29-20	PLSUSD REVISIONS
05-26-20	PLSUSD REVISIONS

REV.	ISSUED DATE	DESCRIPTION

SCALE IN FEET

0 8 20 40 80 120

PROJECT TITLE

VERANO P.U.D. NO. 1, PLAT NO. 22

SHEET TITLE

WATER AND SEWER IMPROVEMENT PLAN

ARCADIS

ARCADIS U.S., Inc.
 1500 Gateway Boulevard, Suite 2000
 Boynton Beach, Florida 33426
 Tel: (561) 687-7000 Fax: (561) 687-4731
 www.arcadis.com

PROFESSIONAL ENGINEER

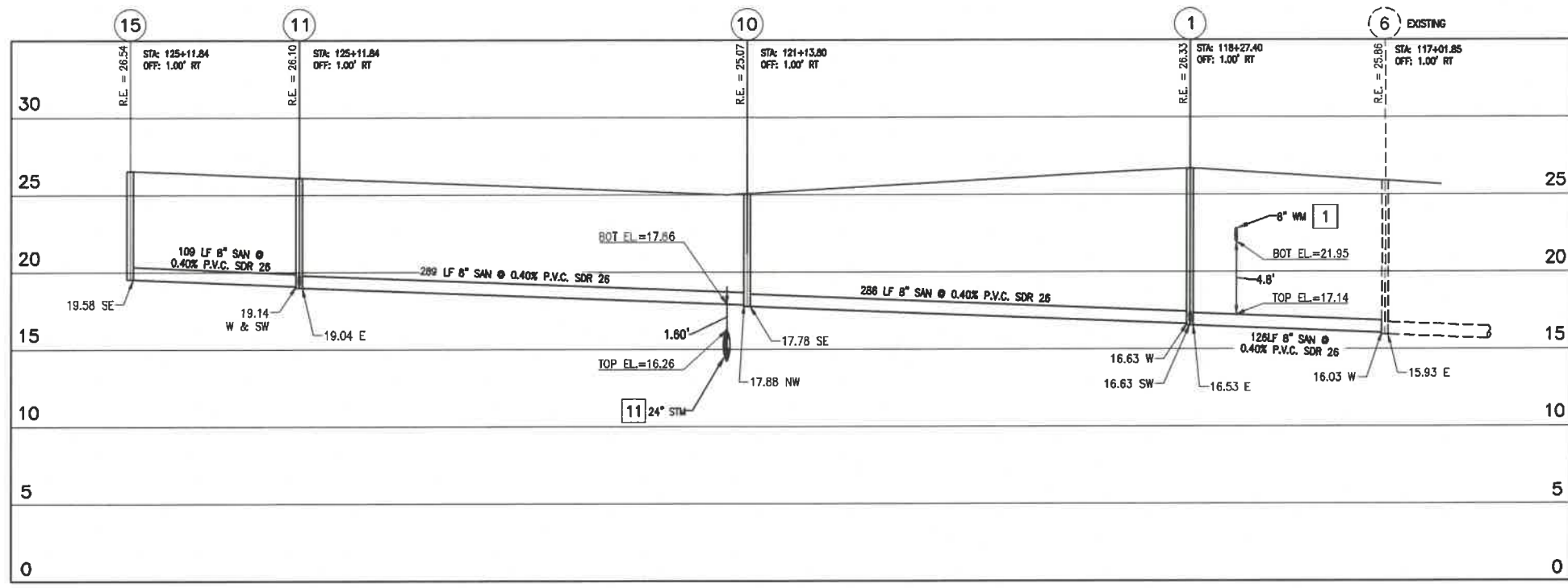
STATE OF FLORIDA

ROBERT W. LAWSON, P.E.
 FL. CERT. NO. 28660

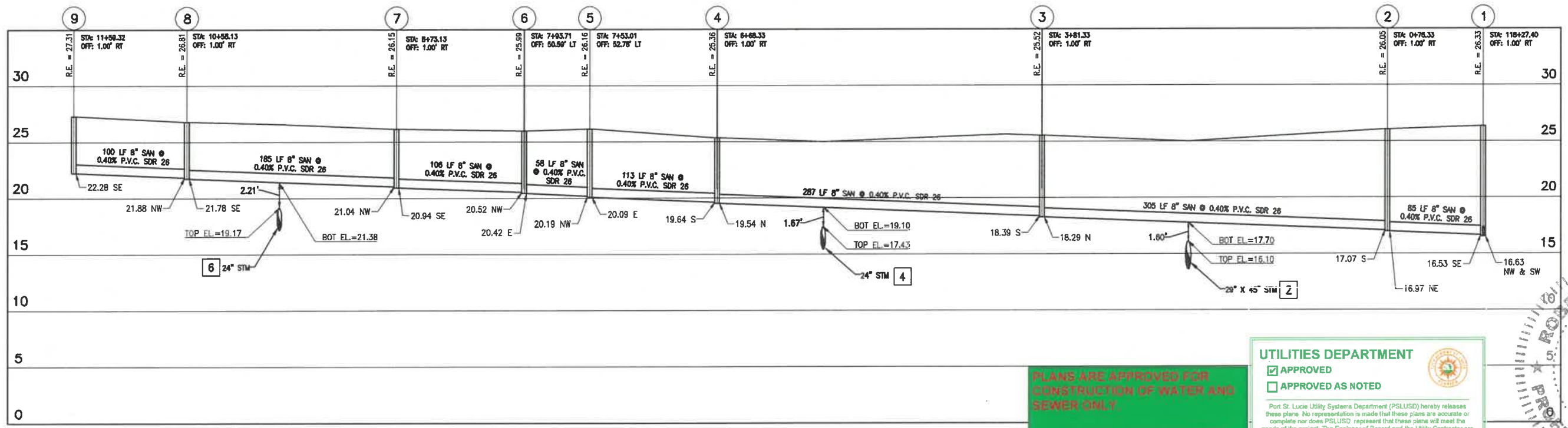
DATE	AUGUST 2019	SCALE	1" = 40'
PROJECT MANAGER	RWL	DEPARTMENT MANAGER	RWL
LEAD DESIGN PROF.	RWL	CHECKED BY	RWL
TASK/PHASE NUMBER	0000.0000P	DRAWN BY	JAF
PROJECT NUMBER	WF883022	DRAWING NUMBER	WS6 OF 12

PSLUSD PROJECT NUMBER - 11-652-28
 CITY OF PORT ST. LUCIE PROJECT NUMBER - P20-082

Date/Time : Tue, 07 Jul 2020 - 2:00pm
 User Name : jfitzgerald
 Acad Version : R19.1s (LMS Tech)
 User Name : jfitzgerald
 Current Plotstyle : ByColor
 Files\WORK\DWGS\VERANO PUD\PLAT 22\ENGINEERING\WIS PLANS\WF883022 - WS07 - PROFILES.dwg
 Layout Tab: WS7



VISCONTI WAY



VITERBO WAY

HORIZONTAL: 1" = 50'
 VERTICAL: 1" = 10'

1 - CONFLICT NUMBER

PLANS ARE APPROVED FOR CONSTRUCTION OF WATER AND SEWER ONLY.
 ANY CONSTRUCTION OF FIBER OR REUSE IS AT YOUR OWN RISK.

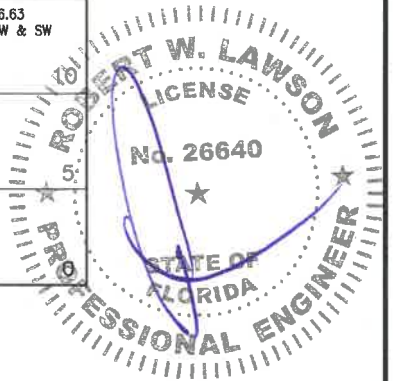
UTILITIES DEPARTMENT

APPROVED
 APPROVED AS NOTED

Port St. Lucie Utility Systems Department (PSLUSD) hereby releases these plans. No representation is made that these plans are accurate or complete nor does PSLUSD represent that these plans will meet the needs of the project. The Engineer of Record and the Utility Contractor are hereby notified that any work or product that fails to meet the standards or policy of the PSLUSD or applicable agencies will not be accepted. PSLUSD is not responsible for additional project costs or delays due to the inability of meeting said requirements.

BY: LAlexander DATE: 7/9/2020

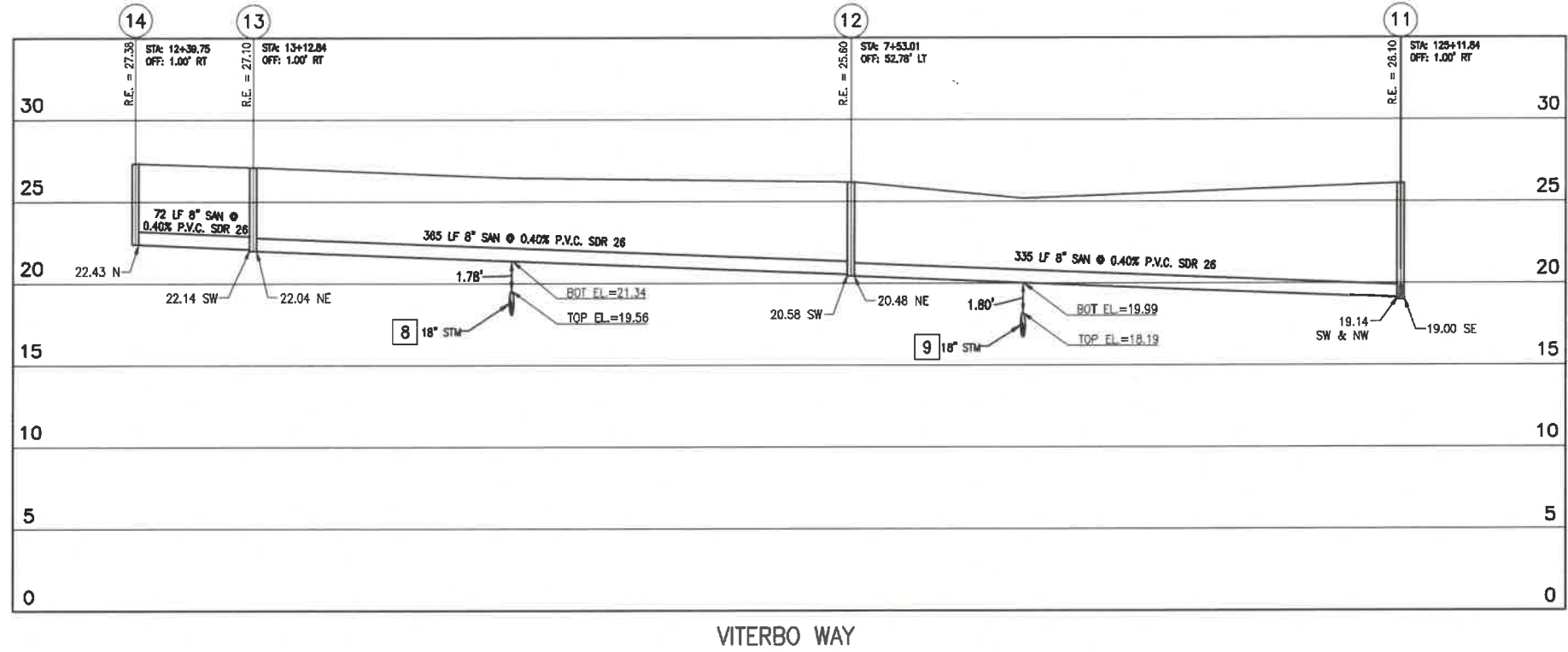
1 NOTE: ONE FULL STICK OF WATERLINE PIPE SHALL BE CENTERED AT EACH CONFLICT/CROSSING LOCATION



PSLUSD PROJECT NUMBER - 11-652-28
 CITY OF PORT ST. LUCIE PROJECT NUMBER - P19-129

<p>© 2019 ARCADIS U.S., Inc.</p> <table border="1" style="width: 100%; border-collapse: collapse;"> <tr> <th>REV.</th> <th>ISSUED DATE</th> <th>DESCRIPTION</th> </tr> <tr> <td>5</td> <td>05-26-20</td> <td>PSLUSD REVISIONS</td> </tr> <tr> <td>4</td> <td>04-28-20</td> <td>PSLUSD REVISIONS</td> </tr> </table>	REV.	ISSUED DATE	DESCRIPTION	5	05-26-20	PSLUSD REVISIONS	4	04-28-20	PSLUSD REVISIONS	<p>KEYPLAN</p> <p>VERANO P.U.D. NO. 1, PLAT NO. 22</p>	<p>SEAL</p>	<p>SEAL</p>	<p>ARCADIS U.S., Inc. 1500 Gateway Boulevard, Suite 200 Boynton Beach, Florida 33426 Tel: (561) 897-7000 Fax: (561) 369-4731 www.arcadis.com</p>	<p>EB7917 / LB7062</p>	<p>SHEET TITLE</p> <p>SEWER PROFILES</p>	<table border="1" style="width: 100%; border-collapse: collapse;"> <tr> <td>PROJECT MANAGER RWL</td> <td>LEAD DESIGN PROF. RWL</td> <td>CHECKED BY RWL</td> </tr> <tr> <td>DEPARTMENT MANAGER RWL</td> <td>TASK/PHASE NUMBER 0000.000DP</td> <td>DRAWN BY JAF</td> </tr> <tr> <td>SCALE</td> <td>PROJECT NUMBER WF883022</td> <td>DRAWING NUMBER WS7 OF 11</td> </tr> <tr> <td>DATE AUGUST 2019</td> <td></td> <td></td> </tr> </table>	PROJECT MANAGER RWL	LEAD DESIGN PROF. RWL	CHECKED BY RWL	DEPARTMENT MANAGER RWL	TASK/PHASE NUMBER 0000.000DP	DRAWN BY JAF	SCALE	PROJECT NUMBER WF883022	DRAWING NUMBER WS7 OF 11	DATE AUGUST 2019		
REV.	ISSUED DATE	DESCRIPTION																										
5	05-26-20	PSLUSD REVISIONS																										
4	04-28-20	PSLUSD REVISIONS																										
PROJECT MANAGER RWL	LEAD DESIGN PROF. RWL	CHECKED BY RWL																										
DEPARTMENT MANAGER RWL	TASK/PHASE NUMBER 0000.000DP	DRAWN BY JAF																										
SCALE	PROJECT NUMBER WF883022	DRAWING NUMBER WS7 OF 11																										
DATE AUGUST 2019																												

Acad Version : R19.1s (LMS Tech) User Name : jfritzgerald
 Date/Time : Tue, 07 Jul 2020 - 2:00pm Path Name : C:\Users\jfitzgerald\Documents\Jornies\VERANO PUD\PLAT 22\ENGINEERING\WS\PLANS\WF883022-WS07_PROFILES.dwg
 Current Plotstyle : ByColor Files\WORK\DWGS\VERANO PUD\PLAT 22\ENGINEERING\WS\PLANS\WF883022-WS07_PROFILES.dwg
 Layout Tab: WSB



VITERBO WAY

HORIZONTAL: 1" = 50'
 VERTICAL: 1" = 10'

1 - CONFLICT NUMBER

PLANS ARE APPROVED FOR CONSTRUCTION OF WATER AND SEWER ONLY.
 ANY CONSTRUCTION OF FIBER OR REUSE IS AT YOUR OWN RISK.

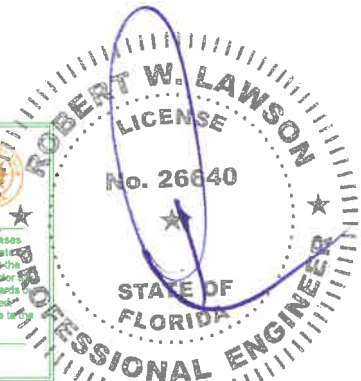
1 NOTE: ONE FULL STICK OF WATERLINE PIPE SHALL BE CENTERED AT EACH CONFLICT/CROSSING LOCATION

UTILITIES DEPARTMENT

APPROVED
 APPROVED AS NOTED

Port St. Lucie Utility Systems Department (PSLUSD) hereby releases these plans. No representation is made that these plans are accurate, complete nor does PSLUSD represent that these plans will meet the needs of the project. The Engineer of Record and the Utility Contractor hereby notified that any work or product that fails to meet the standards policy of the PSLUSD or applicable agencies will not be accepted. PSLUSD is not responsible for additional project costs or delays due to inability of meeting said requirements.

BY LAlexander DATE 7/9/2020

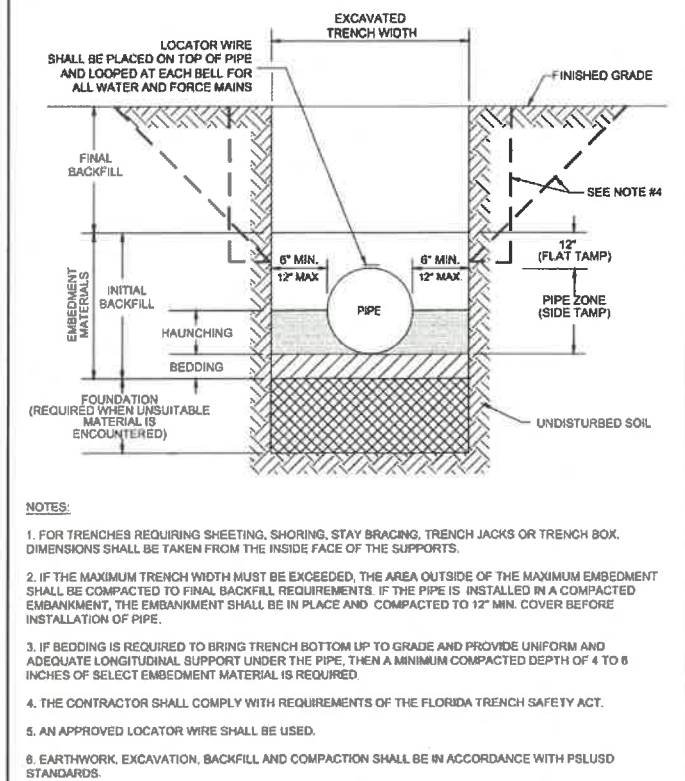
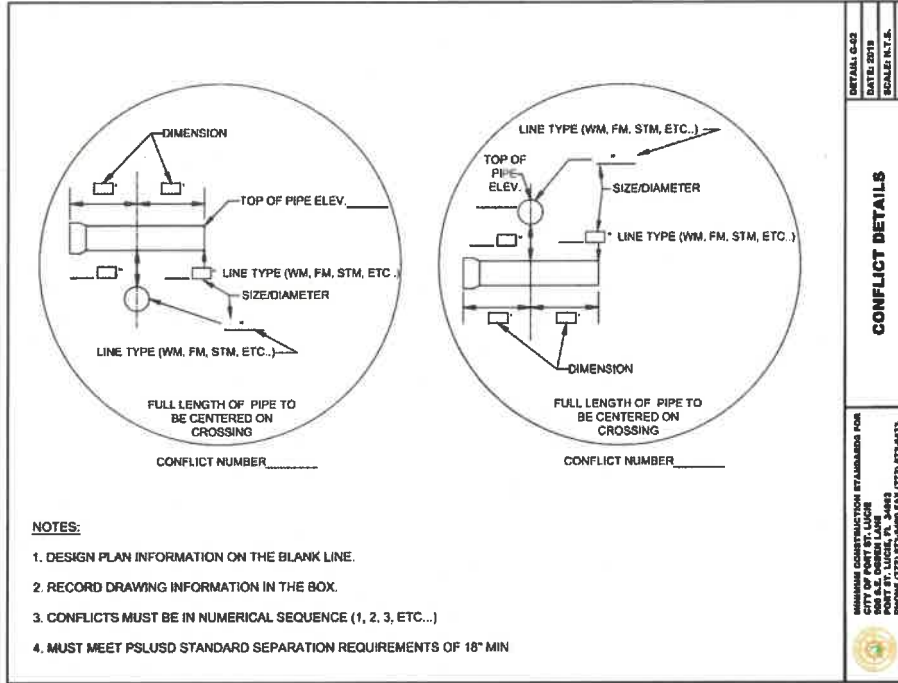


PSLUSD PROJECT NUMBER - 11-652-28
 CITY OF PORT ST. LUCIE PROJECT NUMBER - P19-129

© 2019 ARCADIS U.S., Inc. 05-26-20 PSLUSD REVISIONS REV. ISSUED DATE DESCRIPTION	KEYPLAN VERANO P.U.D. NO. 1, PLAT NO. 22	SEAL ROBERT W. LAWSON, PE FL REG. # 26640	SEAL ROBERT W. LAWSON, PE FL REG. # 26640	 ARCADIS U.S., Inc. 1500 Gateway Boulevard, Suite 200 Boynton Beach, Florida 33426 Tel: (561) 697-7000 Fax: (561) 369-4731 www.arcadis.com	EB797 / LB7062	SHEET TITLE SEWER PROFILES	PROJECT MANAGER RWL DEPARTMENT MANAGER RWL SCALE DATE AUGUST 2019	LEAD DESIGN PROF. RWL TASK/PHASE NUMBER 0000.000DP PROJECT NUMBER WF883022	CHECKED BY RWL DRAWN BY JAF DRAWING NUMBER WS8 OF 11
--	---	--	--	---	----------------	--	---	--	--

MINIMUM SEPARATION BETWEEN PSLUSD FACILITIES AND OTHER UTILITIES			
OTHER PIPE	HORIZONTAL SEPARATION	CROSSINGS (1)	JOINT SPACING @ CROSSINGS (FULL JOINT CENTERED)
GRAVITY OR PRESSURE SANITARY SEWER, SANITARY SEWER FORCE MAIN, RECLAIMED WATER (2), (3), VACUUM SANITARY SERVICE, STORM SEWER, STORM SEWER FORCE MAIN	WATER MAIN 10' MINIMUM	WATER MAIN 18" MINIMUM	WATER MAIN 6" MINIMUM
ALL OTHER FACILITIES, INCLUDING BUT NOT LIMITED TO: TELEPHONE, CABLE TV, POWER, ETC.	PSLUSD FACILITY (4) 5' MINIMUM	PSLUSD FACILITY (4) 18" MINIMUM	WATER MAIN 6" MINIMUM
ON-SITE SEWAGE TREATMENT AND DISPOSAL SYSTEM	10' MINIMUM

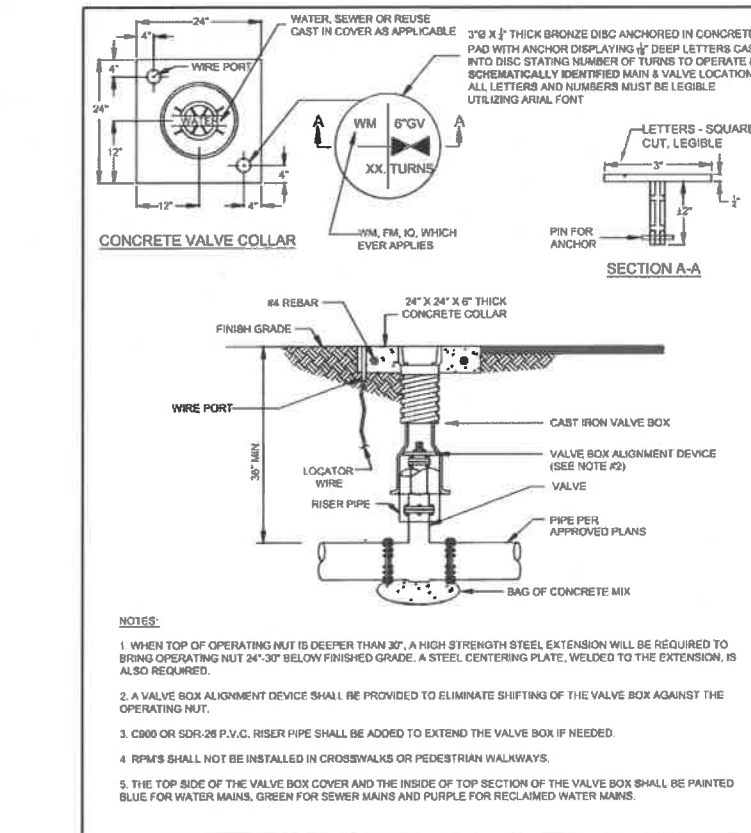
(1) WATER MAIN SHOULD CROSS OVER OTHER PIPE. WHEN WATER MAIN MUST BE BELOW OTHER PIPE, THE MINIMUM SEPARATION IS 18".
 (2) RECLAIMED WATER REGULATED UNDER PART III OF CHAPTER 62-810, F.A.C.
 (3) RECLAIMED WATER NOT REGULATED UNDER PART III OF CHAPTER 62-810, F.A.C.
 (4) A PSLUSD FACILITY INCLUDES MAINS AND STRUCTURES FOR POTABLE WATER, WASTEWATER AND RECLAIMED WATER.



MINIMUM CONSTRUCTION STANDARDS FOR CITY OF PORT ST. LUCIE 900 S.E. OGDEN LANE PORT ST. LUCIE, FL 34883 PHONE (772) 873-6400 FAX (772) 873-6433

STANDARD PIPE TRENCH CROSS SECTION

DETAIL: G-04
DATE: 2019
SCALE: N.T.S.
SHEET: 1 OF 1



HORIZONTAL BENDS

DIAMETER	HORIZONTAL - L (FEET)				TEE* (BRANCH)	VALVES OR DEAD END
	11-1/4"	22-1/2"	45°	90°		
4"	2	4	8	18	20	36
6"	3	5	11	25	36	55
8"	4	7	14	33	52	72
10"	4	8	18	39	65	97
12"	5	9	19	45	80	102
14"	6	11	21	51	93	116
16"	6	12	24	57	107	131
18"	7	13	26	63	120	145
20"	7	14	29	68	133	159
24"	8	16	33	79	157	185
30"	10	19	39	93	192	222
36"	11	21	44	108	225	257
42"	12	24	49	117	254	289
48"	13	26	53	128	263	321

DETAIL: G-09
DATE: 2019
SCALE: N.T.S.
SHEET: 1 OF 3

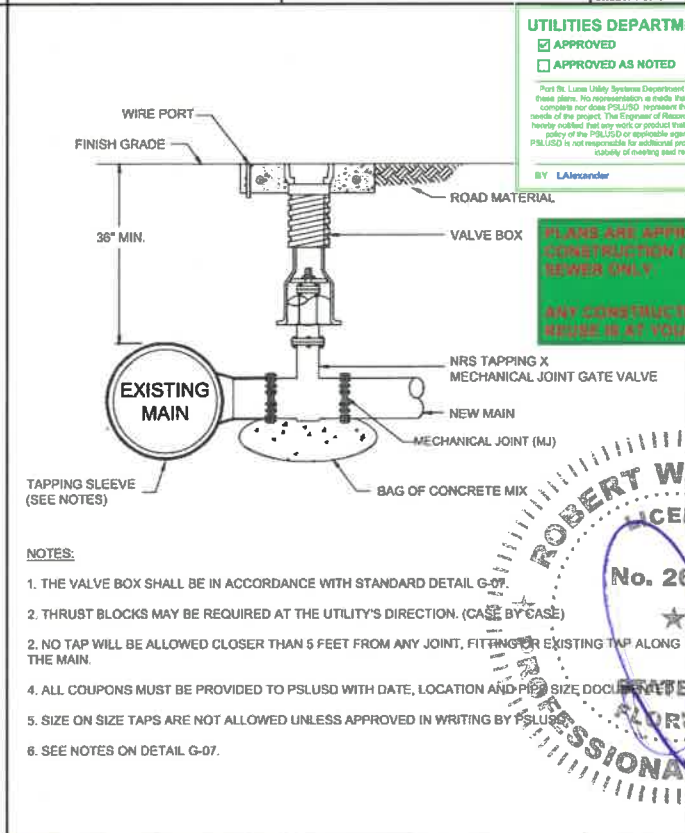
MINIMUM CONSTRUCTION STANDARDS FOR CITY OF PORT ST. LUCIE 900 S.E. OGDEN LANE PORT ST. LUCIE, FL 34883 PHONE (772) 873-6400 FAX (772) 873-6433

VERTICAL BENDS

DIAMETER	VERTICAL OFFSET - L (FEET)			
	11-1/4"	22-1/2"	45°	90°
4"	2	4	8	18
6"	3	5	11	25
8"	4	7	14	33
10"	4	8	18	39
12"	5	9	19	45
14"	6	11	21	51
16"	6	12	24	57
18"	7	13	26	63
20"	7	14	29	68
24"	8	16	33	79
30"	10	19	39	93
36"	11	21	44	108
42"	12	24	49	117
48"	13	26	53	128

DETAIL: G-09
DATE: 2019
SCALE: N.T.S.
SHEET: 1 OF 3

MINIMUM CONSTRUCTION STANDARDS FOR CITY OF PORT ST. LUCIE 900 S.E. OGDEN LANE PORT ST. LUCIE, FL 34883 PHONE (772) 873-6400 FAX (772) 873-6433



UTILITIES DEPARTMENT

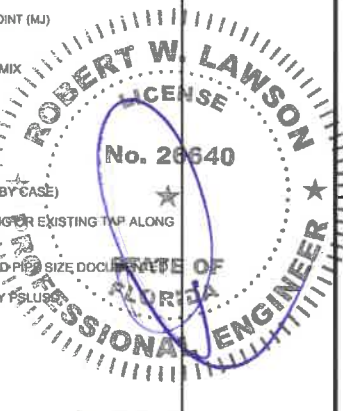
APPROVED
 APPROVED AS NOTED

Port St. Lucie Utility System Department (PSLUSD) hereby reviews these plans. No representation is made that these plans are accurate or complete nor does PSLUSD warrant that these plans will meet the needs of the project. The Engineer of Record and the Utility Contractor are hereby notified that any work or product that does not meet the standards of quality of the PSLUSD or applicable agencies will not be accepted. PSLUSD is not responsible for additional project costs or delays due to the failure of meeting said requirements.

BY: LAlexander DATE: 7/9/2020

PLANS ARE APPROVED FOR CONSTRUCTION OF WATER AND SEWER ONLY.

ANY CONSTRUCTION OF OTHER UTILITIES IS AT YOUR OWN RISK.



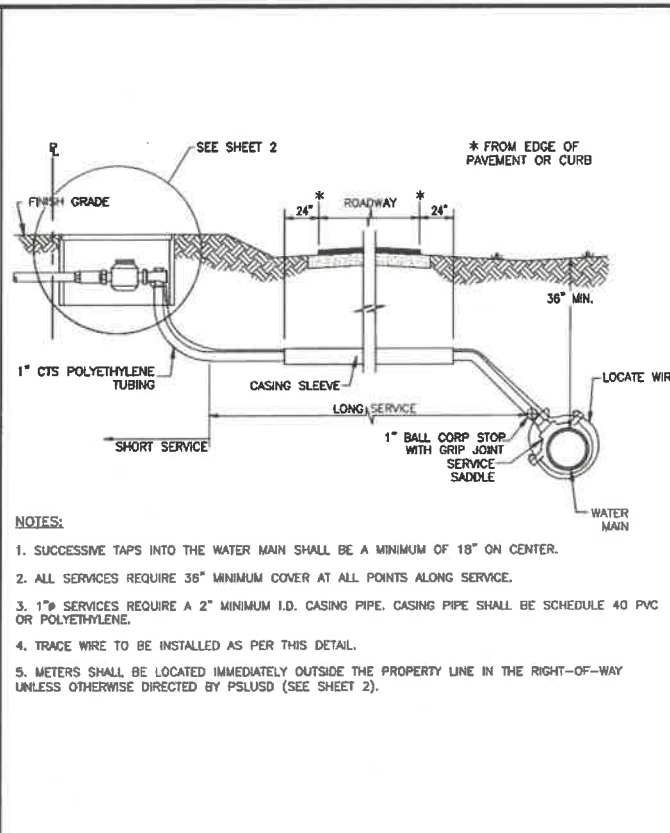
<p>09-25-19 SPRC COMMENTS</p> <p>05-26-20 PSLUSD REVISIONS</p>	<p>PROJECT TITLE</p> <p>VERANO P.U.D. NO. 1 PLAT NO. 22</p>	<p>SEAL</p> <p>ROBERT W. LAWSON, PE FL REG. # 26640</p>	<p>SEAL</p>	<p>DETAIL: G-09 DATE: 2019 SCALE: N.T.S. SHEET: 1 OF 3</p> <p>MINIMUM CONSTRUCTION STANDARDS FOR CITY OF PORT ST. LUCIE 900 S.E. OGDEN LANE PORT ST. LUCIE, FL 34883 PHONE (772) 873-6400 FAX (772) 873-6433</p> <p>PIPELINE RESTRAINT REQUIREMENTS (HORIZONTAL)</p>	<p>DETAIL: G-09 DATE: 2019 SCALE: N.T.S. SHEET: 1 OF 3</p> <p>MINIMUM CONSTRUCTION STANDARDS FOR CITY OF PORT ST. LUCIE 900 S.E. OGDEN LANE PORT ST. LUCIE, FL 34883 PHONE (772) 873-6400 FAX (772) 873-6433</p> <p>PIPELINE RESTRAINT REQUIREMENTS (VERTICAL)</p>	<p>DETAIL: G-09 DATE: 2019 SCALE: N.T.S. SHEET: 2 OF 2</p> <p>MINIMUM CONSTRUCTION STANDARDS FOR CITY OF PORT ST. LUCIE 900 S.E. OGDEN LANE PORT ST. LUCIE, FL 34883 PHONE (772) 873-6400 FAX (772) 873-6433</p> <p>TAPPING SLEEVE AND VALVE ASSEMBLY</p>	<p>PROJECT MANAGER</p> <p>RWL</p> <p>DEPARTMENT MANAGER</p> <p>RWL</p> <p>SCALE</p> <p>NTS</p> <p>DATE</p> <p>AUGUST 2019</p>	<p>LEAD DESIGN PROF.</p> <p>RWL</p> <p>TASK/PHASE NUMBER</p> <p>0000.0000P</p> <p>PROJECT NUMBER</p> <p>WF883022</p>	<p>CHECKED BY</p> <p>RWL</p> <p>DRAWN BY</p> <p>JAF</p> <p>DRAWING NUMBER</p> <p>WS9 OF 12</p>
--	--	---	-------------	---	---	--	---	---	---

ARCADIS U.S., Inc. 1500 Gateway Boulevard, Suite 200, Boynton Beach, Florida 33426. Tel: (561) 697-7000 Fax: (561) 369-4731 www.arcadis.com

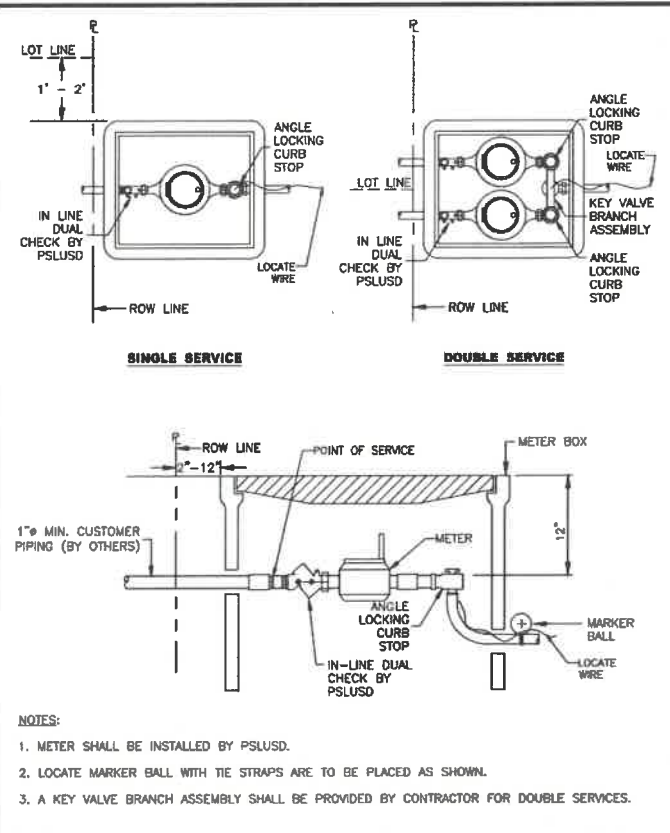
PSLUSD PROJECT NUMBER - 11-652-28
CITY OF PORT ST. LUCIE PROJECT NUMBER - P20-082

Acad Version : R19.1s (LMS Tech)
 User Name : jtzgerard
 Date/Time : Tue, 07 Jul 2020 - 2:01pm
 Path Name : C:\Users\jtzgerard\Documents\Jomies Files\WORK\DWGS\VERANO PUD\PLAT 22\ENGINEERING\MS PLANS\WF883022-WS9-12_DET.dwg
 Current Plotstyle : ByColor
 Layout Tab: WS9
 Plot: PLAT 22\ENGINEERING\MS PLANS\WF883022-WS9-12_DET.dwg

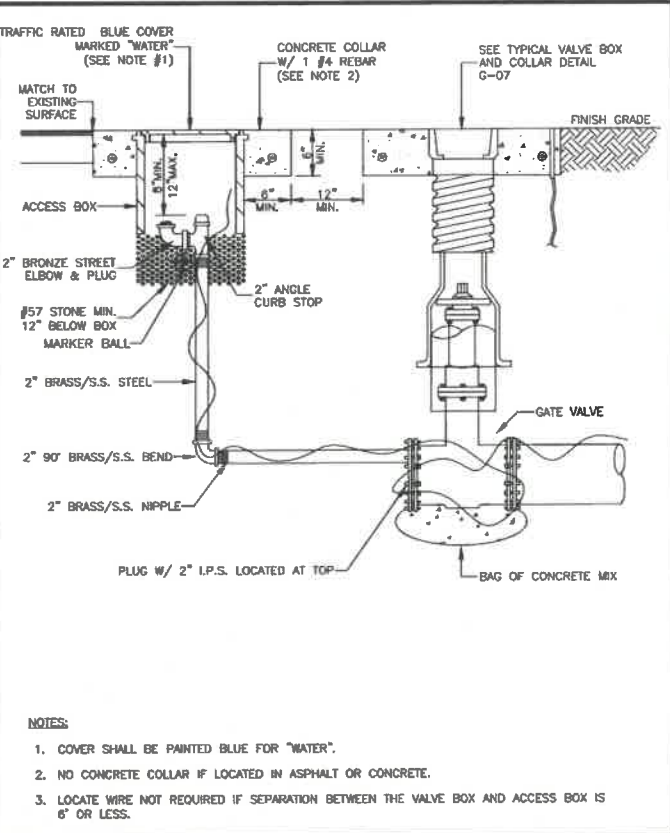
Date: Time: Tue, 07 Jul 2020 - 2:01pm
 User Name: R19-1s (LMS Tech)
 User Name: jfizeroid
 Current Playlist: C:\Users\jfizeroid\Documents\Jomies Files\WORK\DWG\VERANO P.U.D.\PLAT 22\ENGINEERING\MS PLANS\WF883022-WS09-12 DET.dwg
 Layout Tab: WS10



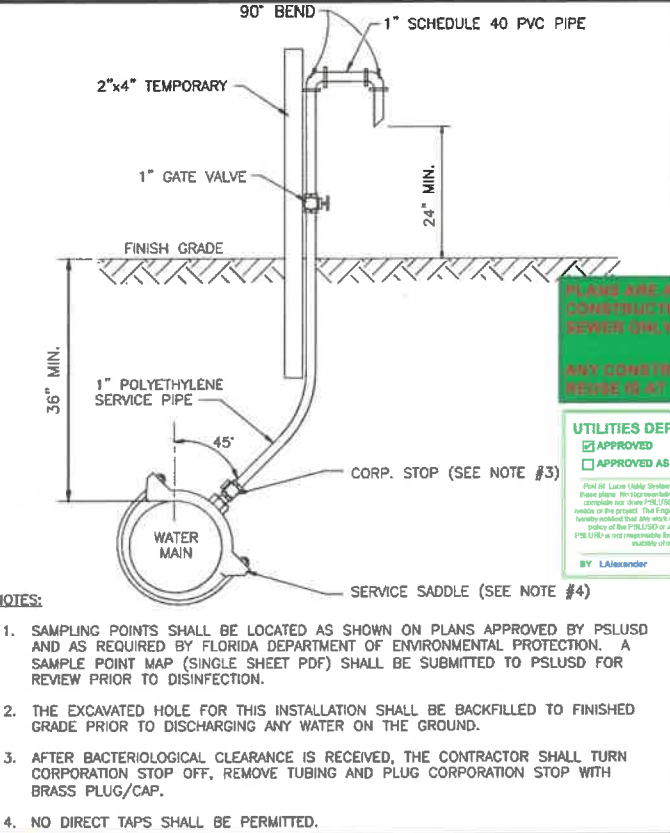
MINIMUM CONSTRUCTION STANDARDS FOR CITY OF PORT ST. LUCIE 900 S.E. OGDEN LANE PORT ST. LUCIE, FL 34983 PHONE (772) 873-6400 FAX (772) 873-6433



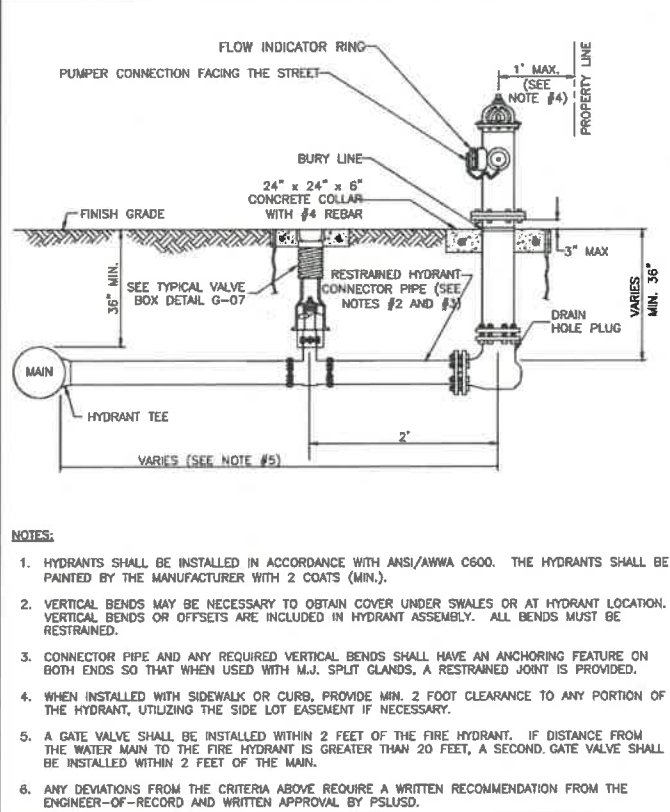
MINIMUM CONSTRUCTION STANDARDS FOR CITY OF PORT ST. LUCIE 900 S.E. OGDEN LANE PORT ST. LUCIE, FL 34983 PHONE (772) 873-6400 FAX (772) 873-6433



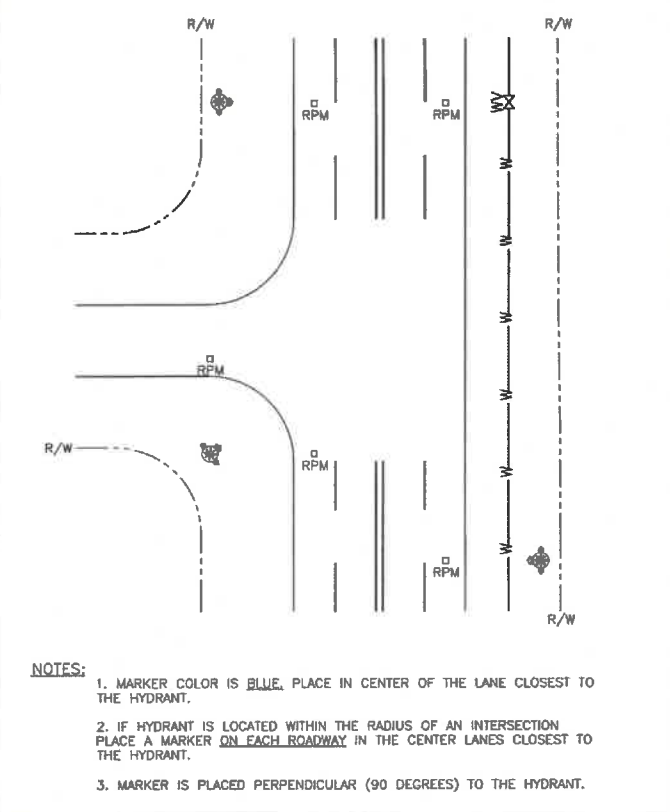
MINIMUM CONSTRUCTION STANDARDS FOR CITY OF PORT ST. LUCIE 900 S.E. OGDEN LANE PORT ST. LUCIE, FL 34983 PHONE (772) 873-6400 FAX (772) 873-6433



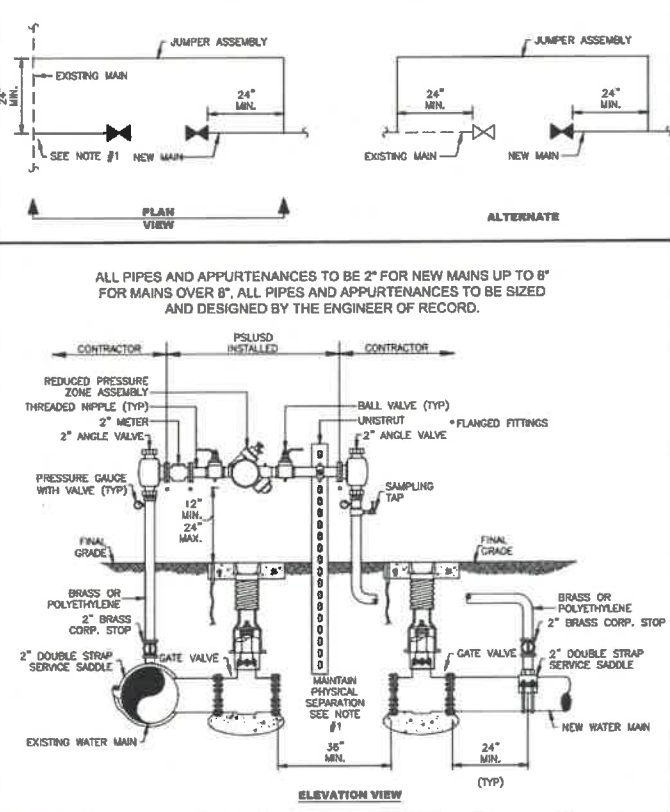
MINIMUM CONSTRUCTION STANDARDS FOR CITY OF PORT ST. LUCIE 900 S.E. OGDEN LANE PORT ST. LUCIE, FL 34983 PHONE (772) 873-6400 FAX (772) 873-6433



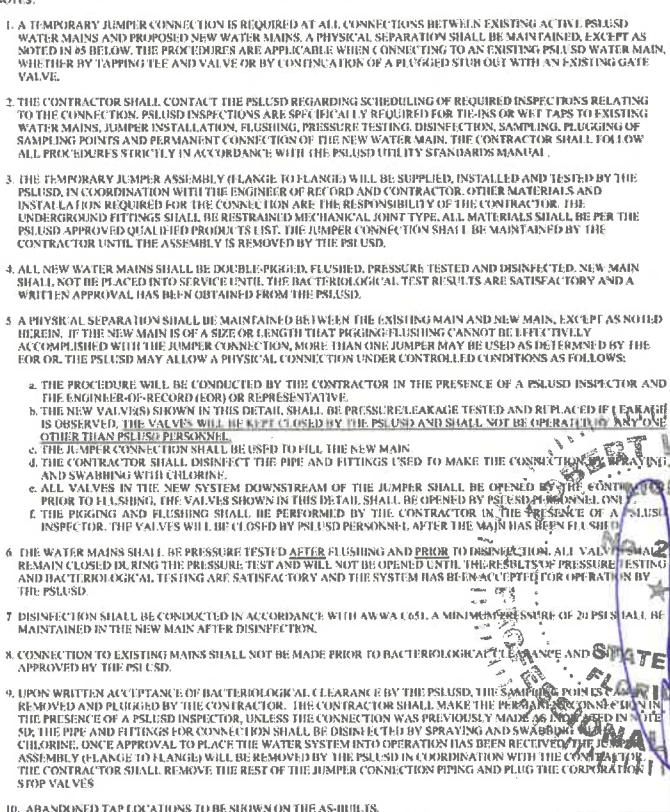
MINIMUM CONSTRUCTION STANDARDS FOR CITY OF PORT ST. LUCIE 900 S.E. OGDEN LANE PORT ST. LUCIE, FL 34983 PHONE (772) 873-6400 FAX (772) 873-6433



MINIMUM CONSTRUCTION STANDARDS FOR CITY OF PORT ST. LUCIE 900 S.E. OGDEN LANE PORT ST. LUCIE, FL 34983 PHONE (772) 873-6400 FAX (772) 873-6433



MINIMUM CONSTRUCTION STANDARDS FOR CITY OF PORT ST. LUCIE 900 S.E. OGDEN LANE PORT ST. LUCIE, FL 34983 PHONE (772) 873-6400 FAX (772) 873-6433

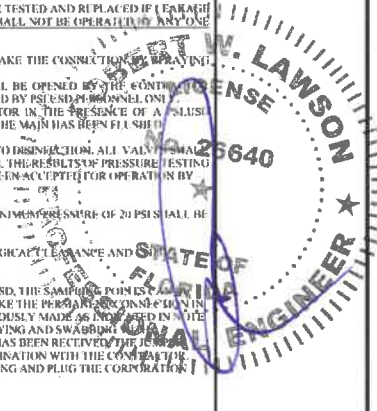


MINIMUM CONSTRUCTION STANDARDS FOR CITY OF PORT ST. LUCIE 900 S.E. OGDEN LANE PORT ST. LUCIE, FL 34983 PHONE (772) 873-6400 FAX (772) 873-6433

PLANS ARE APPROVED FOR CONSTRUCTION OF WATER AND SEWER ONLY.
ANY CONSTRUCTION OF PIPES OR SERVICE IS AT YOUR OWN RISK.

UTILITIES DEPARTMENT
 APPROVED
 APPROVED AS NOTED
Port St. Lucie Utilities Department (PSLUSD) hereby certifies that these plans have been reviewed and approved for construction of water and sewer mains. The Engineer of Record and the Utility Contractor are responsible for the design and construction of the project. The PSLUSD is not responsible for additional project costs or delays due to the utility contractor's error or omissions.
 BY: L.Alexander DATE: 7/6/2020

NOTES:
 1. A TEMPORARY JUMPER CONNECTION IS REQUIRED AT ALL CONNECTIONS BETWEEN EXISTING ACTIVE PSLUSD WATER MAINS AND PROPOSED NEW WATER MAINS. A PHYSICAL SEPARATION SHALL BE MAINTAINED, EXCEPT AS NOTED IN #5 BELOW. THE PROCEDURES ARE APPLICABLE WHEN CONNECTING TO AN EXISTING PSLUSD WATER MAIN, WHETHER BY TAPPING TEE AND VALVE OR BY CONNECTION OF A PLUGGED STUB OUT WITH AN EXISTING GATE VALVE.
 2. THE CONTRACTOR SHALL CONTACT THE PSLUSD REGARDING SCHEDULING OF REQUIRED INSPECTIONS RELATING TO THE CONNECTION. PSLUSD INSPECTIONS ARE SPECIFICALLY REQUIRED FOR TIE-INS OR WFT TAPS TO EXISTING WATER MAINS, JUMPER INSTALLATION, FLUSHING, PRESSURE TESTING, DISINFECTION, SAMPLING, PLUGGING OF SAMPLING POINTS AND PERMANENT CONNECTION OF THE NEW WATER MAIN. THE CONTRACTOR SHALL FOLLOW ALL PROCEDURES STRICTLY IN ACCORDANCE WITH THE PSLUSD UTILITY STANDARDS MANUAL.
 3. THE TEMPORARY JUMPER ASSEMBLY (FLANGE TO FLANGE) WILL BE SUPPLIED, INSTALLED AND TESTED BY THE PSLUSD. IN COORDINATION WITH THE ENGINEER OF RECORD AND CONTRACTOR, OTHER MATERIALS AND INSTALLATIONS REQUIRED FOR THE CONNECTION ARE THE RESPONSIBILITY OF THE CONTRACTOR. THE UNDERGROUND FITTINGS SHALL BE RESTRAINED METALLIC JOINT TYPE. ALL MATERIALS SHALL BE PER THE PSLUSD APPROVED QUALIFIED PRODUCTS LIST. THE JUMPER CONNECTION SHALL BE MAINTAINED BY THE CONTRACTOR UNTIL THE ASSEMBLY IS REMOVED BY THE PSLUSD.
 4. ALL NEW WATER MAINS SHALL BE DOUBLE-PLUGGED, FLUSHED, PRESSURE TESTED AND DISINFECTED. NEW MAIN SHALL NOT BE PLACED INTO SERVICE UNTIL THE BACTERIOLOGICAL TEST RESULTS ARE SATISFACTORY AND A WRITTEN APPROVAL HAS BEEN OBTAINED FROM THE PSLUSD.
 5. A PHYSICAL SEPARATION SHALL BE MAINTAINED BETWEEN THE EXISTING MAIN AND NEW MAIN, EXCEPT AS NOTED HEREIN. IF THE NEW MAIN IS OF A SIZE OR LENGTH THAT PIGGING/FLUSHING CANNOT BE EFFECTIVELY ACCOMPLISHED WITH THE JUMPER CONNECTION, MORE THAN ONE JUMPER MAY BE USED AS DETERMINED BY THE PSLUSD. THE PSLUSD MAY ALLOW A PHYSICAL CONNECTION UNDER CONTROLLED CONDITIONS AS FOLLOWS:
 a. THE PROCEDURE WILL BE CONDUCTED BY THE CONTRACTOR IN THE PRESENCE OF A PSLUSD INSPECTOR AND THE ENGINEER-OF-RECORD (EOR) OR REPRESENTATIVE.
 b. THE NEW VALVES SHOWN IN THIS DETAIL SHALL BE PRESSURE-RELEASE TESTED AND REPLACED IF LEAKAGE IS OBSERVED. THE VALVES WILL BE KEPT CLOSED BY THE PSLUSD AND SHALL NOT BE OPERATED BY ANYONE OTHER THAN PSLUSD PERSONNEL.
 c. THE JUMPER CONNECTION SHALL BE USED TO FILL THE NEW MAIN.
 d. THE CONTRACTOR SHALL DISINFECT THE PIPE AND FITTINGS USED TO MAKE THE CONNECTION BY SPRAYING AND SWABbing WITH CHLORINE.
 e. ALL VALVES IN THE NEW SYSTEM DOWNSTREAM OF THE JUMPER SHALL BE OPENED BY THE CONTRACTOR PRIOR TO FLUSHING. THE VALVES SHOWN IN THIS DETAIL SHALL BE OPENED BY PSLUSD PERSONNEL ONLY.
 f. THE PIGGING AND FLUSHING SHALL BE PERFORMED BY THE CONTRACTOR IN THE PRESENCE OF A PSLUSD INSPECTOR. THE VALVES WILL BE KEPT CLOSED BY PSLUSD PERSONNEL AFTER THE MAIN HAS BEEN FLUSHED.
 6. THE WATER MAINS SHALL BE PRESSURE TESTED AFTER FLUSHING AND PRIOR TO DISINFECTION. ALL VALVES SHALL REMAIN CLOSED DURING THE PRESSURE TEST AND WILL NOT BE OPENED UNTIL THE RESULTS OF PRESSURE TESTING AND BACTERIOLOGICAL TESTING ARE SATISFACTORY AND THE SYSTEM HAS BEEN ACCEPTED FOR OPERATION BY THE PSLUSD.
 7. DISINFECTION SHALL BE CONDUCTED IN ACCORDANCE WITH AWWA C651. A MINIMUM PRESSURE OF 20 PSI SHALL BE MAINTAINED IN THE NEW MAIN AFTER DISINFECTION.
 8. CONNECTION TO EXISTING MAINS SHALL NOT BE MADE PRIOR TO BACTERIOLOGICAL CLEARANCE AND APPROVAL BY THE PSLUSD.
 9. UPON WRITTEN ACCEPTANCE OF BACTERIOLOGICAL CLEARANCE BY THE PSLUSD, THE SAMPLING POINTS SHALL BE REMOVED AND PLUGGED BY THE CONTRACTOR. THE CONTRACTOR SHALL MAKE THE PHYSICAL CONNECTION OF THE NEW MAIN TO THE EXISTING MAIN. THE PSLUSD SHALL REMOVE THE JUMPER CONNECTION AND PLUG THE CORPORATION STOP VALVES.
 10. ABANDONED TAP LOCATIONS TO BE SHOWN ON THE AS-BUILTS.



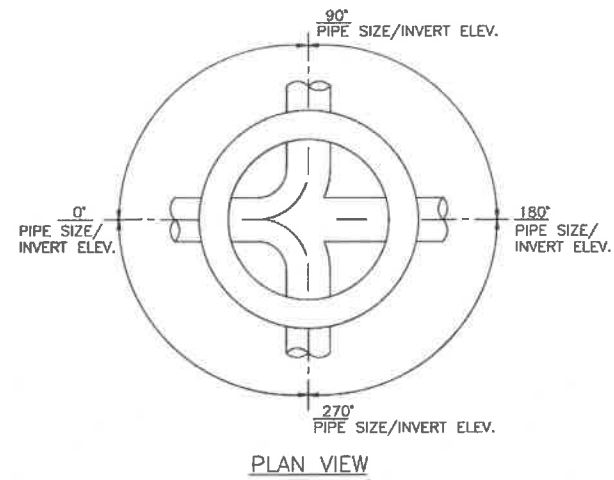
REV.	ISSUED DATE	DESCRIPTION
09-25-19	SPRC COMMENTS	
05-26-20	PSLUSD REVISIONS	

PROJECT TITLE	VERANO P.U.D. NO. 1 PLAT NO. 22
SEAL	ROBERT W. LAWSON, PE FL REG. # 26640

ARCADIS U.S., Inc.
 1500 Gateway Boulevard, Suite 200 Tel: (561) 697-7000 Fax: (561) 369-4731
 Boynton Beach, Florida 33426 www.arcadis.com

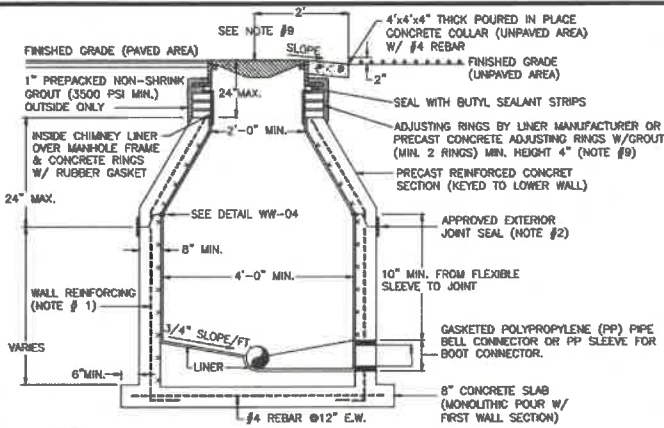
PROJECT MANAGER	LEAD DESIGN PROF.	CHECKED BY
RWL	RWL	RWL
DEPARTMENT MANAGER	TASK/PHASE NUMBER	DRAWN BY
RWL	0000.000DP	JAF
SCALE	PROJECT NUMBER	DRAWING NUMBER
NTS	WF883022	WS10 OF 12
DATE		
AUGUST 2019		

PSLUSD PROJECT NUMBER - 11-652-28
 CITY OF PORT ST. LUCIE PROJECT NUMBER - P20-082



NOTES:

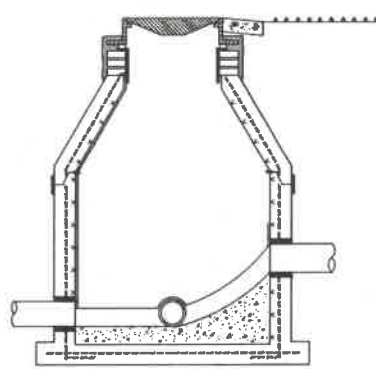
1. THE ENGINEER-OF-RECORD SHALL SUBMIT TO PSLUSD THE SHOP DRAWINGS FOR EACH STRUCTURE, PROVIDING THE DIAMETER OF EACH PIPE, INVERT ELEVATION OF EACH PIPE, RIM ELEVATION AND THE NUMBER OF DEGREES BETWEEN PIPES. (15 DEGREE INCREMENTS IF POSSIBLE)
2. MANHOLE INTERIOR SHALL BE LINED UTILIZING A CORROSION BARRIER SYSTEM, LISTED ON THE PSLUSD QUALIFIED PRODUCT LIST.
3. MANHOLE EXTERIOR SHALL BE COATED WITH A PRIMER AND TWO COATS OF A WATER BASED EPOXY 3-5 MILS EACH PER THE PSLUSD SPECIFICATIONS. APPLICATION SHALL BE IN ACCORDANCE WITH THE MANUFACTURER'S SPECIFICATION.



NOTES:

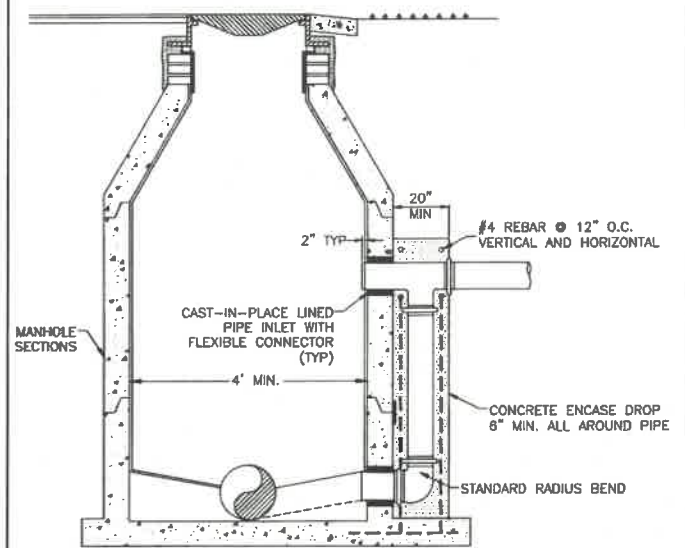
1. MANHOLE FABRICATION SHALL BE IN ACCORDANCE W/ ASTM C-478, LATEST REVISION.
2. SEALANT SHALL BE APPLIED PER MANUFACTURER'S SPECIFICATION BETWEEN MANHOLE SECTIONS & AT ALL JOINTS (SEE DETAIL WW-04). ALSO AN APPROVED EXTERNAL JOINT SEAL MAY BE APPLIED AT THE JOINTS. (EXTERNAL JOINT SEAL IS OPTIONAL)
3. ALL PIPE OPENINGS SHALL BE GAS AND WATER TIGHT WITH NO EXPOSED CONCRETE SURFACES.
4. CAST OPENINGS SHALL BE MANUFACTURED WITH PRECAST HOLE W/ CAST-IN LINER SLEEVE SIZED FOR APPROPRIATE PIPE AND FLEXIBLE CONNECTOR. APPROVED FLEXIBLE MANHOLE CONNECTORS SHALL BE USED AT PIPE CONNECTIONS. HOLE SIZE PER BOOT MANUFACTURER'S SPECIFICATIONS. DOUBLE STAINLESS STEEL PIPE CLAMPS MUST BE INSTALLED ON THE FLEXIBLE SLEEVES WHERE REQUIRED BY BOOT MANUFACTURER'S INSTALLATION INSTRUCTIONS.
5. FLOW CHANNELS SHALL BE CONSTRUCTED TO DIRECT FLOW INTO FLOW STREAM (SEE DETAIL WW-01).
6. LIFT HOLES ARE PERMITTED BUT MUST BE GROUTED ONCE MANHOLE IS IN PLACE.
7. MANHOLE AND BASE WILL BE LINED INSIDE WITH AN APPROVED LINER SYSTEM.
8. AN APPROVED COVER & FRAME SHALL BE PROVIDED. APPROVED INSIDE MANHOLE CHIMNEY SEALANT SHALL BE APPLIED OVER THE MANHOLE FRAME, CONCRETE RINGS, AND LINER SECTION IN ACCORDANCE WITH THE SPECIFICATIONS.
9. MAXIMUM HEIGHT OF CHIMNEY SHALL NOT EXCEED 24 INCHES INCLUDING FRAME CASTING.

CONT. ON SHEET 2 OF 2



NOTES:

10. EXCAVATION, DEWATERING, BACKFILL & COMPACTION SHALL BE CONDUCTED IN ACCORDANCE W/ THE PSLUSD UTILITY STANDARDS. DENSITY TESTS SHALL BE PERFORMED AND SUBMITTED AS REQUIRED.
11. THE MANHOLE BASE SHALL BE CONSTRUCTED AS SHOWN IN THIS DETAIL WHERE THE DROP IN INVERT EXCEEDS 0.1' BUT IS LESS THAN 2'. FOR DROPS 2' OR GREATER A DROP CONNECTION PER DETAIL WW-03 SHALL BE USED.
12. THE MANHOLE SHALL BE CONSTRUCTED AS SHOWN IN THIS DETAIL WHERE THE DROP IN INVERT EXCEEDS 0.1' BUT IS LESS THAN 2'. FOR DROPS 2' OR GREATER A DROP CONNECTION PER DETAIL WW-03 SHALL BE USED.



NOTES:

1. A DROP CONNECTION IS REQUIRED WHENEVER AN INFLUENT INVERT IS LOCATED 2' OR HIGHER THAN THE DOWNSTREAM INVERT CHANNEL. MANHOLES WITH A DROP 2.0 FEET OR LESS SHALL BE IN ACCORDANCE WITH DETAIL WW-02.
2. MANHOLE CONSTRUCTION SHALL BE IN ACCORDANCE WITH DETAIL WW-02.
3. PVC SDR 26 PIPE WITH PVC SDR 26 FITTINGS SHALL BE UTILIZED IN THE DROP ASSEMBLY.

MINIMUM CONSTRUCTION STANDARDS FOR CITY OF PORT ST. LUCIE 900 S.E. OGDEN LANE PORT ST. LUCIE, FL 34983 PHONE (772) 873-6400 FAX (772) 873-6433

INVERT FLOW CHANNELS FOR MANHOLES

DETAIL: WW-01
DATE: 2019
SCALE: N.T.S.
SHEET: 1 OF 1

MINIMUM CONSTRUCTION STANDARDS FOR CITY OF PORT ST. LUCIE 900 S.E. OGDEN LANE PORT ST. LUCIE, FL 34983 PHONE (772) 873-6400 FAX (772) 873-6433

STANDARD PRECAST MANHOLE

DETAIL: WW-02
DATE: 2019
SCALE: N.T.S.
SHEET: 1 OF 2

MINIMUM CONSTRUCTION STANDARDS FOR CITY OF PORT ST. LUCIE 900 S.E. OGDEN LANE PORT ST. LUCIE, FL 34983 PHONE (772) 873-6400 FAX (772) 873-6433

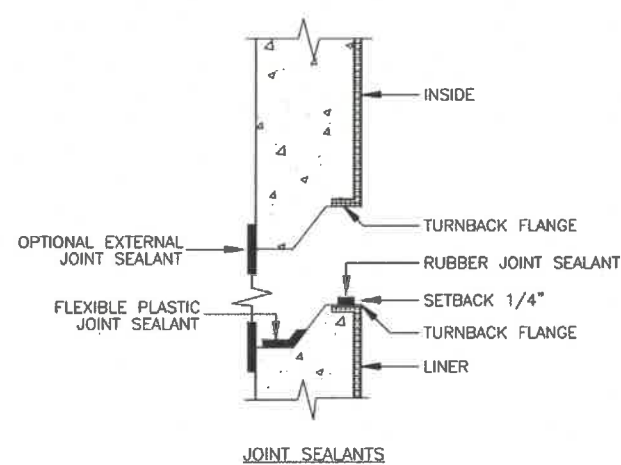
STANDARD PRECAST MANHOLE (DROP)

DETAIL: WW-03
DATE: 2019
SCALE: N.T.S.
SHEET: 2 OF 2

MINIMUM CONSTRUCTION STANDARDS FOR CITY OF PORT ST. LUCIE 900 S.E. OGDEN LANE PORT ST. LUCIE, FL 34983 PHONE (772) 873-6400 FAX (772) 873-6433

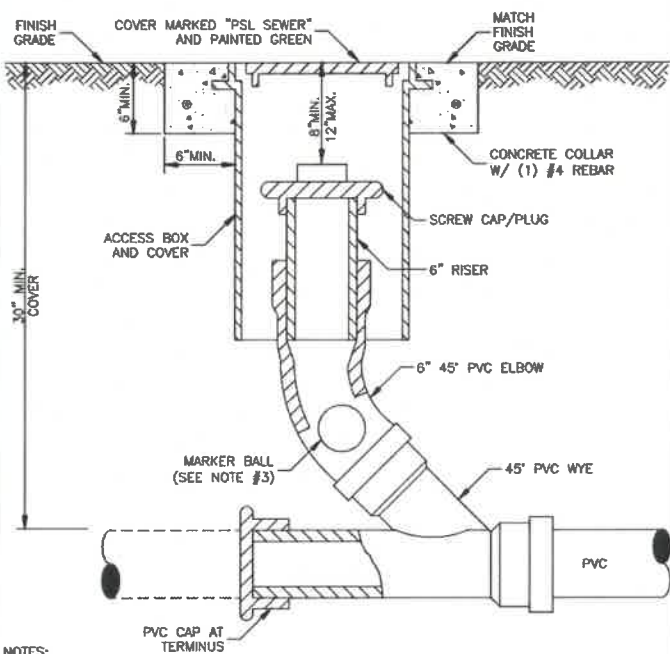
OUTSIDE DROP MANHOLE

DETAIL: WW-03
DATE: 2019
SCALE: N.T.S.
SHEET: 1 OF 1



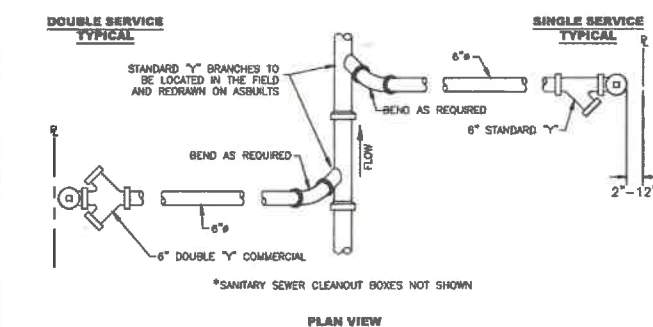
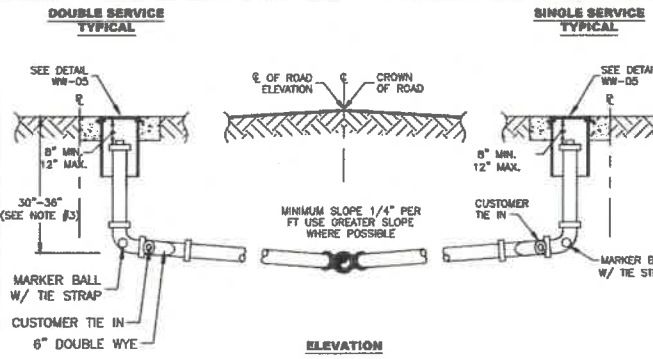
NOTES:

1. APPROVED JOINT SEALANTS SHALL BE USED.
2. WELDED CAP STRIPS AT JOINTS OR WELDED JOINTS MAY BE ACCEPTABLE IF APPROVED IN WRITING BY PSLUSD.



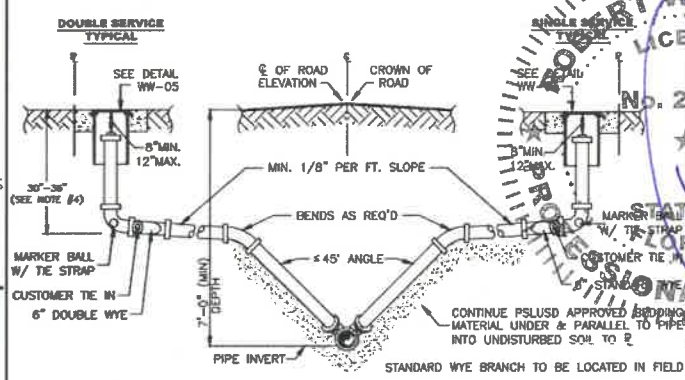
NOTES:

1. AN ACCESS BOX AND COVER SHALL BE USED.
2. CLEANOUT ASSEMBLY SHALL BE INSTALLED AT A MAXIMUM 75' INTERVALS AND AT TERMINAL POINT OF THE PSLUSD RESPONSIBILITY. THE LOCATION SHALL BE IN ACCORDANCE WITH THE PSLUSD UTILITY STANDARDS.
3. MARKER BALL SHALL BE STRAPPED TO THE ELBOW.



NOTES:

1. SANITARY SEWER LATERALS SHALL BE 6" IN DIAMETER.
2. THE ENGINEER OF RECORD SHALL ENSURE THAT THE PROPOSED PLUMBING STUB-OUT ELEVATION FOR EACH BUILDING WILL ALLOW FOR A GRAVITY CONNECTION TO THE SANITARY SEWER LATERAL WITH THE REQUIRED SLOPE. HORIZONTAL AND VERTICAL SEPARATION SHALL BE MAINTAINED AS REQUIRED IN THE UTILITY STANDARDS MANUAL.



NOTES:

1. PSLUSD APPROVED BEDDING MATERIAL SHALL BE USED FOR EXCAVATION BACK FILL.
2. LOCATE MARKER BALL WITH TIE STRAPS TO BE ATTACHED TO 6" ELBOW.
3. THE ENGINEER OF RECORD SHALL ENSURE THAT THE PROPOSED PLUMBING STUB-OUT ELEVATION FOR EACH BUILDING WILL ALLOW FOR A GRAVITY CONNECTION TO THE SANITARY SEWER LATERAL WITH THE REQUIRED SLOPE. HORIZONTAL AND VERTICAL SEPARATION SHALL BE MAINTAINED AS REQUIRED IN THE UTILITY STANDARDS MANUAL.

MINIMUM CONSTRUCTION STANDARDS FOR CITY OF PORT ST. LUCIE 900 S.E. OGDEN LANE PORT ST. LUCIE, FL 34983 PHONE (772) 873-6400 FAX (772) 873-6433

MANHOLE / WETWELL JOINT DETAIL

DETAIL: WW-04
DATE: 2019
SCALE: N.T.S.
SHEET: 1 OF 1

MINIMUM CONSTRUCTION STANDARDS FOR CITY OF PORT ST. LUCIE 900 S.E. OGDEN LANE PORT ST. LUCIE, FL 34983 PHONE (772) 873-6400 FAX (772) 873-6433

SANITARY SEWER CLEANOUT

DETAIL: WW-05
DATE: 2019
SCALE: N.T.S.
SHEET: 1 OF 1

MINIMUM CONSTRUCTION STANDARDS FOR CITY OF PORT ST. LUCIE 900 S.E. OGDEN LANE PORT ST. LUCIE, FL 34983 PHONE (772) 873-6400 FAX (772) 873-6433

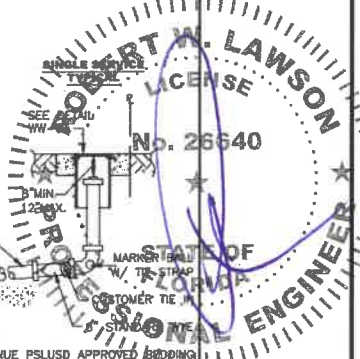
SANITARY SEWER LATERAL (SHALLOW)

DETAIL: WW-06
DATE: 2019
SCALE: N.T.S.
SHEET: 1 OF 1

MINIMUM CONSTRUCTION STANDARDS FOR CITY OF PORT ST. LUCIE 900 S.E. OGDEN LANE PORT ST. LUCIE, FL 34983 PHONE (772) 873-6400 FAX (772) 873-6433

SANITARY SEWER LATERAL (DEEP)

DETAIL: WW-07
DATE: 2019
SCALE: N.T.S.
SHEET: 1 OF 1



UTILITIES DEPARTMENT

APPROVED
 APPROVED AS NOTED

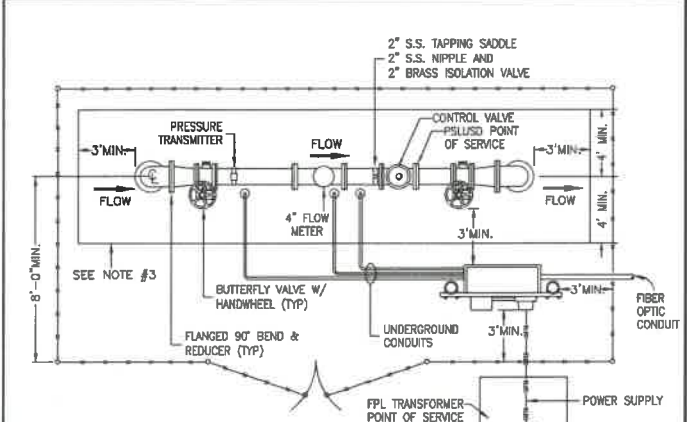
BY: LAlexander DATE: 7/8/2028

IT IS THE POLICY OF THE CITY OF PORT ST. LUCIE TO ENCOURAGE THE CONSTRUCTION OF WATER AND SEWER LINES BY THE PROPERTY OWNER.

Acad Version : R19.1s (LMS Tech)
 User Name : jitzgerod
 Date Time : Tue, 07 Jul 2020 - 2:01 pm
 Current Plotstyle : BColor
 Plot Name : C:\Users\jitzgerod\Documents\Utilities\Plans\VERANO P.U.D.\PLAT 22\ENGINEERING\WS PLANS\WF883022-WS09-12 DET.dwg
 Loyal, Inc. Tab: WS1

<p>PROJECT TITLE</p> <p>VERANO P.U.D. NO. 1 PLAT NO. 22</p>	<p>SEAL</p> <p>ROBERT W. LAWSON, PE FL REG. # 26640</p>	<p>ARCADIS U.S., Inc.</p> <p>1500 Gateway Boulevard, Suite 200 Boynton Beach, Florida 33426</p> <p>Tel: (561) 697-7000 Fax: (561) 369-4731 www.arcadis.com</p>	<p>PROJECT MANAGER</p> <p>RWL</p>	<p>LEAD DESIGN PROF.</p> <p>RWL</p>	<p>CHECKED BY</p> <p>RWL</p>
<p>DEPARTMENT</p> <p>WATER AND SEWER DETAILS</p>	<p>DEPARTMENT MANAGER</p> <p>RWL</p>	<p>TASK/PHASE NUMBER</p> <p>0000.000DP</p>	<p>DRAWN BY</p> <p>JAF</p>	<p>SCALE</p> <p>NTS</p>	<p>DRAWING NUMBER</p> <p>WF883022</p>
<p>DATE</p> <p>AUGUST 2019</p>	<p>PROJECT NUMBER</p> <p>WF883022</p>	<p>CITY OF PORT ST. LUCIE PROJECT NUMBER - P20-082</p>	<p>DATE</p> <p>AUGUST 2019</p>	<p>PROJECT NUMBER</p> <p>WF883022</p>	<p>DRAWING NUMBER</p> <p>WS11 OF 12</p>

Acad Version : R19.1s (LMS Tech) User Name : jfizerad
 Date\Time : Tue, 07 Jul 2020 - 2:01pm
 Path\Name : C:\Users\jfizerad\Documents\Verano P.U.J. 22\ENGINEERING\MS PLANS\WF883022-WS09-12.DWG
 Current: P:\style : ByColor Files\WORK\DWGS\VERANO P.U.J. 22\ENGINEERING\MS PLANS\WF883022-WS09-12.DWG
 Layout Tab: WS12

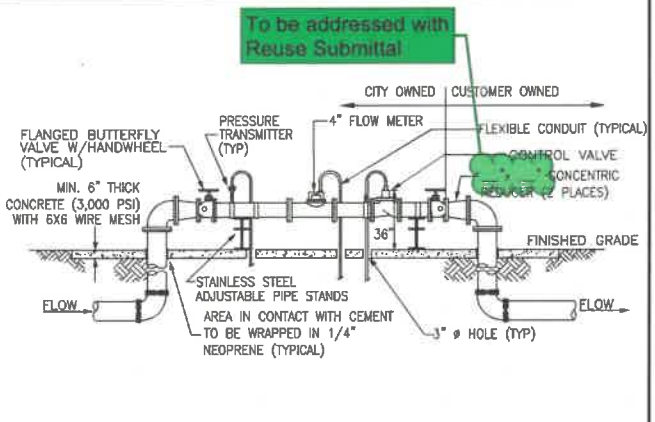


SEE DETAIL THIS SHEET (SEE NOTE #1)

NOTES:

1. THE ABOVE SITE PLAN IS A SAMPLE AND SHALL NOT BE USED AS A STANDARD DETAIL. THE PROPOSED SITE PLAN FOR THE RECLAIMED WATER METERING STATION SHALL BE SUBMITTED TO THE PSLUSD FOR APPROVAL BY THE ENGINEER-OF-RECORD. THE SITE PLAN SHALL BE DRAWN TO SCALE WITH DIMENSIONS AND INDICATE THE SETBACKS AND EASEMENTS FOR ALL THE COMPONENTS. AN EXCLUSIVE UTILITY EASEMENT SHALL BE PROVIDED TO ENCOMPASS THE METERING STATION. AN ACCESS EASEMENT SHALL BE PROVIDED AS DEEMED NECESSARY BY THE PSLUSD.
2. A 6' HIGH CHAIN LINK FENCE AND TWO 6' WIDE SWING GATES SHALL BE PROVIDED PER PSLUSD STANDARD DETAIL G-11.
3. THE AREA SHOWN WITHIN THE FENCE SHALL BE AT LEAST 6" THICK CONCRETE (3000 PSI) WITH 6X6 WIRE MESH. AREA INSIDE THE FENCE THAT IS NOT COVERED BY CONCRETE, STRUCTURES AND EQUIPMENT SHALL HAVE #57 STONE; THE STONE SHALL BE PLACED OVER 2-PLY 4ML VISQUEEN, A MINIMUM OF 6" BUT NO MORE THAN 8" DEEP.
4. THE GRADING AROUND THE SITE SHALL BE SLOPED TO DIRECT THE RUN-OFF TOWARDS THE DRAINAGE SYSTEM.
5. STABILIZED ACCESS TO THE STATION SHALL BE PROVIDED, AS APPROVED BY THE PSLUSD.
6. LANDSCAPING AROUND THE FENCE SHALL BE IN ACCORDANCE WITH THE LANDSCAPE PLAN APPROVED BY THE PSLUSD.

AMERICAN CONSTRUCTION STANDARDS FOR CITY OF PORT ST. LUCIE 900 S.E. OGDEN LANE PORT ST. LUCIE, FL 34983 PHONE (772) 873-6000 FAX (772) 873-6433	RECLAIMED WATER METERING STATION PLAN VIEW	DETAIL RW-01 DATE: 2019 SCALE: N.T.S. SHEET: 1 OF 2
---	---	--

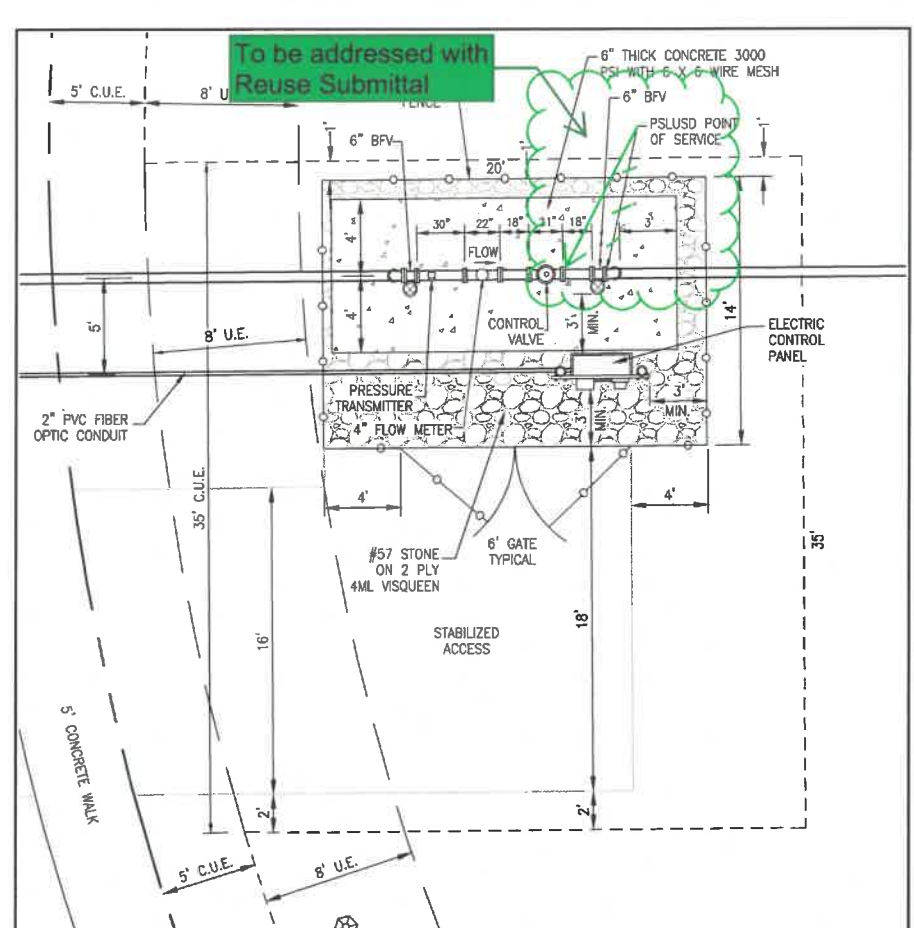


SEE DETAIL THIS SHEET (SEE NOTE #1)

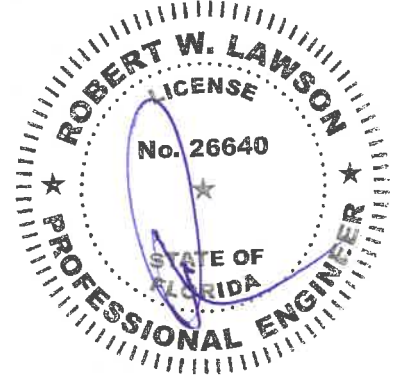
NOTES: (PLEASE REFER TO WRITTEN SPECIFICATIONS FOR ADDITIONAL REQUIREMENTS)

1. MECHANICAL JOINT FITTINGS WITH RESTRAINTS SHALL BE REQUIRED FOR UNDERGROUND AND FLANGED FITTINGS FOR ABOVE GROUND USE. ALL ABOVE GROUND PIPE SHALL BE PAINTED PURPLE.
2. PAINT OR COATINGS SHALL NOT BE APPLIED TO NAME/SERIAL PLATE, STAINLESS STEEL OR BRASS FITTINGS.
3. SPOOL PIECES SHALL BE A MINIMUM LENGTH OF 5 TIMES THE DIAMETER OF THE PIPE UPSTREAM OF THE METER AND A MINIMUM LENGTH OF 3 TIMES THE DIAMETER OF THE PIPE DOWNSTREAM OF THE METER. IF THE METER MANUFACTURERS CRITERIA EXCEEDS THESE MINIMUM LENGTHS, THAT CRITERIA SHALL GOVERN. A 2" STAINLESS STEEL TAPPING SADDLE, 2" S.S. NIPPLE AND 2" BRASS ISOLATION VALVE SHALL BE INSTALLED AT FURTHEST POINT POSSIBLE ON DOWNSTREAM SPOOL PIECE (SEE LOCATION IN DETAIL).
4. ENGINEER-OF-RECORD SHALL FOLLOW DESIGN CRITERIA TO ENSURE THAT THE RECLAIMED WATER DELIVERY SYSTEM REMAINS FULL OF LIQUID AT ALL TIMES. VACUUM BREAKER OR SIPHON BREAKER MAY BE REQUIRED AT STORAGE DISCHARGE.
5. PRESSURE TRANSMITTER OUTPUT SIGNAL (4-20mA DC) SHALL BE LINEAR IN PROPORTION TO PRESSURE RANGE FROM 0 TO 50 PSI.

AMERICAN CONSTRUCTION STANDARDS FOR CITY OF PORT ST. LUCIE 900 S.E. OGDEN LANE PORT ST. LUCIE, FL 34983 PHONE (772) 873-6000 FAX (772) 873-6433	RECLAIMED WATER METERING STATION PLAN VIEW	DETAIL RW-01 DATE: 2019 SCALE: N.T.S. SHEET: 2 OF 2
---	---	--



RECLAIMED WATER METERING STATION DETAIL
SCALE: 1" = 5'



PLANS ARE APPROVED FOR CONSTRUCTION OF WATER AND SEWER ONLY.
ANY CONSTRUCTION OF FIBER OR REUSE IS AT YOUR OWN RISK.

UTILITIES DEPARTMENT

APPROVED
 APPROVED AS NOTED

Port St. Lucie Utility Systems Department (PSLUSD) hereby releases these plans. No representation is made that these plans are accurate or complete nor does PSLUSD represent that these plans will meet the needs of the project. The Engineer of Record and the Utility Contractor are hereby notified that any work or product that fails to meet the standards or policy of the PSLUSD or applicable agencies will not be accepted. PSLUSD is not responsible for additional project costs or delays due to the inability of meeting said requirements.

BY LAlexander DATE 7/9/2020

© 2019 ARCADIS U.S., Inc.	<table border="1"> <tr><td>09-25-19</td><td>SPRC COMMENTS</td></tr> <tr><td>04-29-20</td><td>PSLUSD REVISIONS</td></tr> <tr><td>05-14-20</td><td>ADD 2" PVC CONDUIT</td></tr> <tr><td>05-26-20</td><td>PSLUSD REVISIONS</td></tr> <tr><td>REV.</td><td>ISSUED DATE DESCRIPTION</td></tr> </table>	09-25-19	SPRC COMMENTS	04-29-20	PSLUSD REVISIONS	05-14-20	ADD 2" PVC CONDUIT	05-26-20	PSLUSD REVISIONS	REV.	ISSUED DATE DESCRIPTION	VERANO P.U.D. NO. 1 PLAT NO. 22	SEAL SEAL	SEAL SEAL	 ARCADIS U.S., Inc. 1500 Gateway Boulevard, Suite 200 Boynton Beach, Florida 33426 Tel: (561) 697-7000 Fax: (561) 369-4731 www.arcadis.com	SHEET TITLE WATER AND SEWER DETAILS	<table border="1"> <tr><td>PROJECT MANAGER</td><td>LEAD DESIGN PROF.</td><td>CHECKED BY</td></tr> <tr><td>RWL</td><td>RWL</td><td>RWL</td></tr> <tr><td>DEPARTMENT MANAGER</td><td>TASK/PHASE NUMBER</td><td>DRAWN BY</td></tr> <tr><td>RWL</td><td>0000.0000P</td><td>JAF</td></tr> <tr><td>SCALE</td><td>PROJECT NUMBER</td><td>DRAWING NUMBER</td></tr> <tr><td>NTS</td><td>WF883022</td><td>WS12 OF 12</td></tr> <tr><td>DATE</td><td></td><td></td></tr> <tr><td>AUGUST 2019</td><td></td><td></td></tr> </table>	PROJECT MANAGER	LEAD DESIGN PROF.	CHECKED BY	RWL	RWL	RWL	DEPARTMENT MANAGER	TASK/PHASE NUMBER	DRAWN BY	RWL	0000.0000P	JAF	SCALE	PROJECT NUMBER	DRAWING NUMBER	NTS	WF883022	WS12 OF 12	DATE			AUGUST 2019		
09-25-19	SPRC COMMENTS																																								
04-29-20	PSLUSD REVISIONS																																								
05-14-20	ADD 2" PVC CONDUIT																																								
05-26-20	PSLUSD REVISIONS																																								
REV.	ISSUED DATE DESCRIPTION																																								
PROJECT MANAGER	LEAD DESIGN PROF.	CHECKED BY																																							
RWL	RWL	RWL																																							
DEPARTMENT MANAGER	TASK/PHASE NUMBER	DRAWN BY																																							
RWL	0000.0000P	JAF																																							
SCALE	PROJECT NUMBER	DRAWING NUMBER																																							
NTS	WF883022	WS12 OF 12																																							
DATE																																									
AUGUST 2019																																									

PSLUSD PROJECT NUMBER - 11-652-28
 CITY OF PORT ST. LUCIE PROJECT NUMBER - P20-082